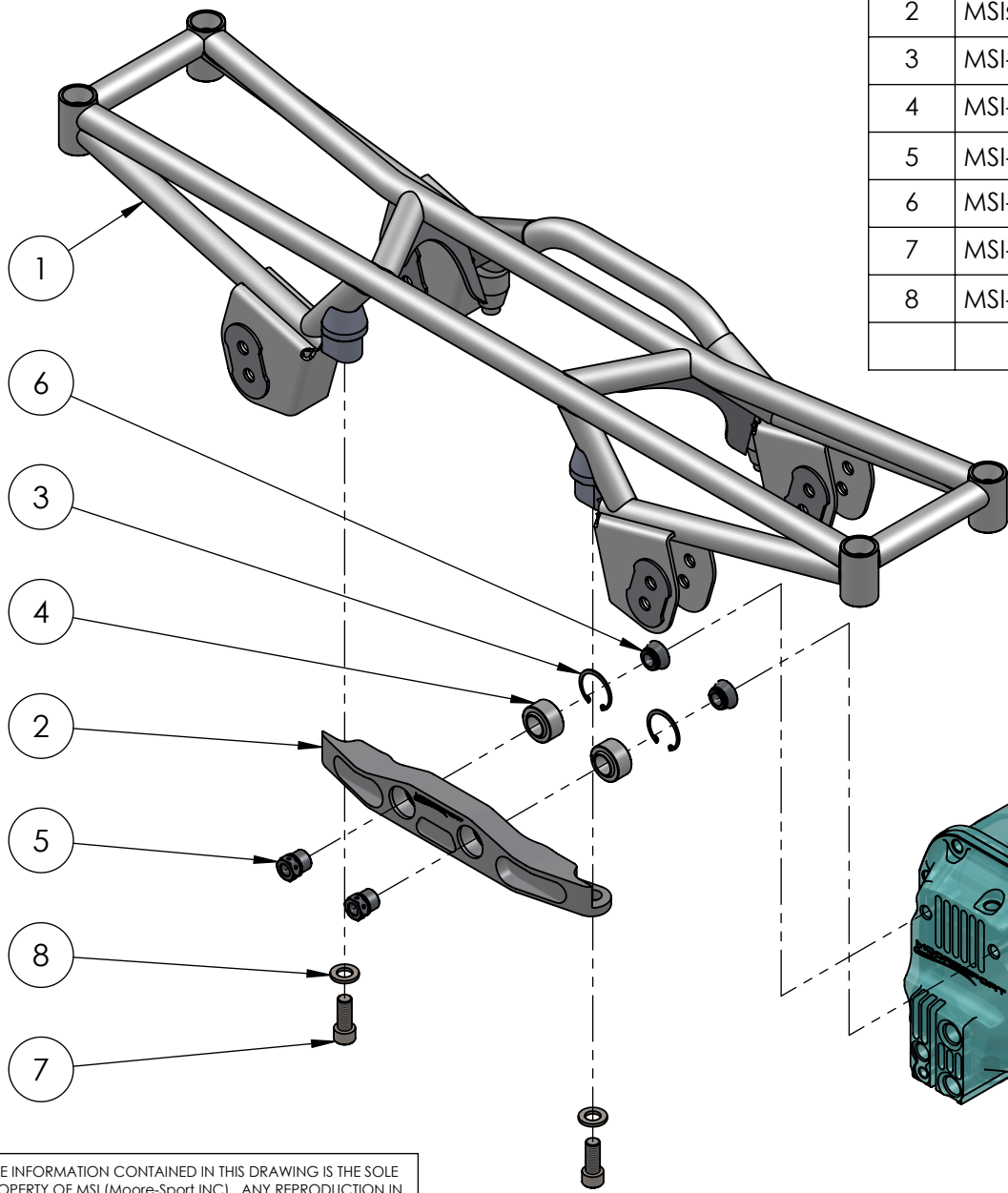


BOM FOR ASSEMBLY

NO.	PART NUMBER	DESCRIPTION	QTY.
1	MSIsub05-28-003-WELD	Welded Adjustable Gravel Subframe	1
2	MSIsub05-00-002g	Billet differential bracket	1
3	MSI-bearing-001a	33mm bearing retaining clip	2
4	MSI-bearing-002	Std 18mm ID Street Bearing	2
5	MSI-MBWT18-12x1.25	M12 x 1.25 Tube Nut	2
6	MSI-MBWT1812x9.5	18mm OD x 12mm ID x 9.5mm H Spacer	2
7	MSI-M12X1.25X30-BLCS	Black Cap Screw M12 x 1.25 x 30mm	2
8	MSI-M12X24-YZFW	Yellow Flat Washer M12 x 24mm OD	2
	<i>UL-S-10665</i>	<i>Shipping Box 40" x 12" x 12" (Kraft)</i>	



THE INFORMATION CONTAINED IN THIS DRAWING IS THE SOLE PROPERTY OF MSI (Moore-Sport INC.). ANY REPRODUCTION IN PART OR AS A WHOLE IS STRICTLY PROHIBITED.

Gravel Rear Subframe Assembly



CAR MODEL	Impreza GC/GD	CONFIGURATION:	ASSEMBLY:	REV	2023-11-30
APPLICATION	Motorsport ONLY	Default	MSIsub05-28-003	1	8279.09

5 4 3 2 1