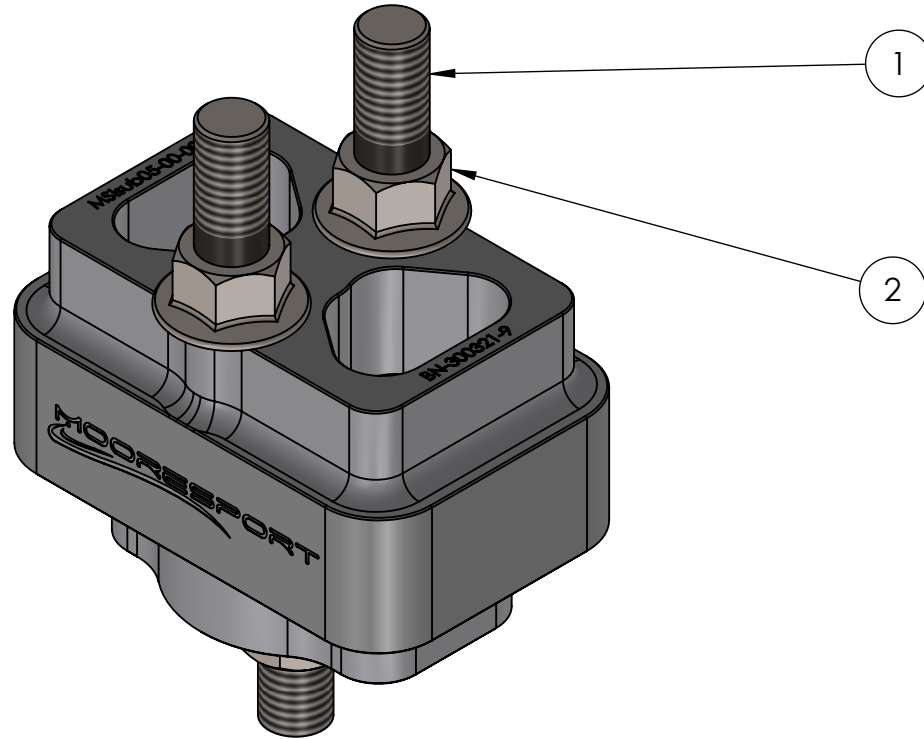


INSTALLATION INSTRUCTIONS

NO.	DESCRIPTION	Nm	Ft/Lb
<i>*Use a PERMANENT thread sealant such as Loctite #262 (HIGH strength)</i>			
1	m10x 1.25 Threaded stud (Use Treadlock)	47	34
2	m10 x 1.25 Flange nut (Do not use Thread lock)	56	41



THE INFORMATION CONTAINED IN THIS DRAWING IS THE SOLE PROPERTY OF MSI (Moore-Sport INC.). ANY REPRODUCTION IN PART OR AS A WHOLE IS STRICTLY PROHIBITED.

Subaru solid engine mount - Set



CAR MODEL	Impreza	CONFIGURATION:	ASSEMBLY:	REV	2022-03-02
APPLICATION	Motorsport ONLY	Default	MSIsub05-00-003	9	