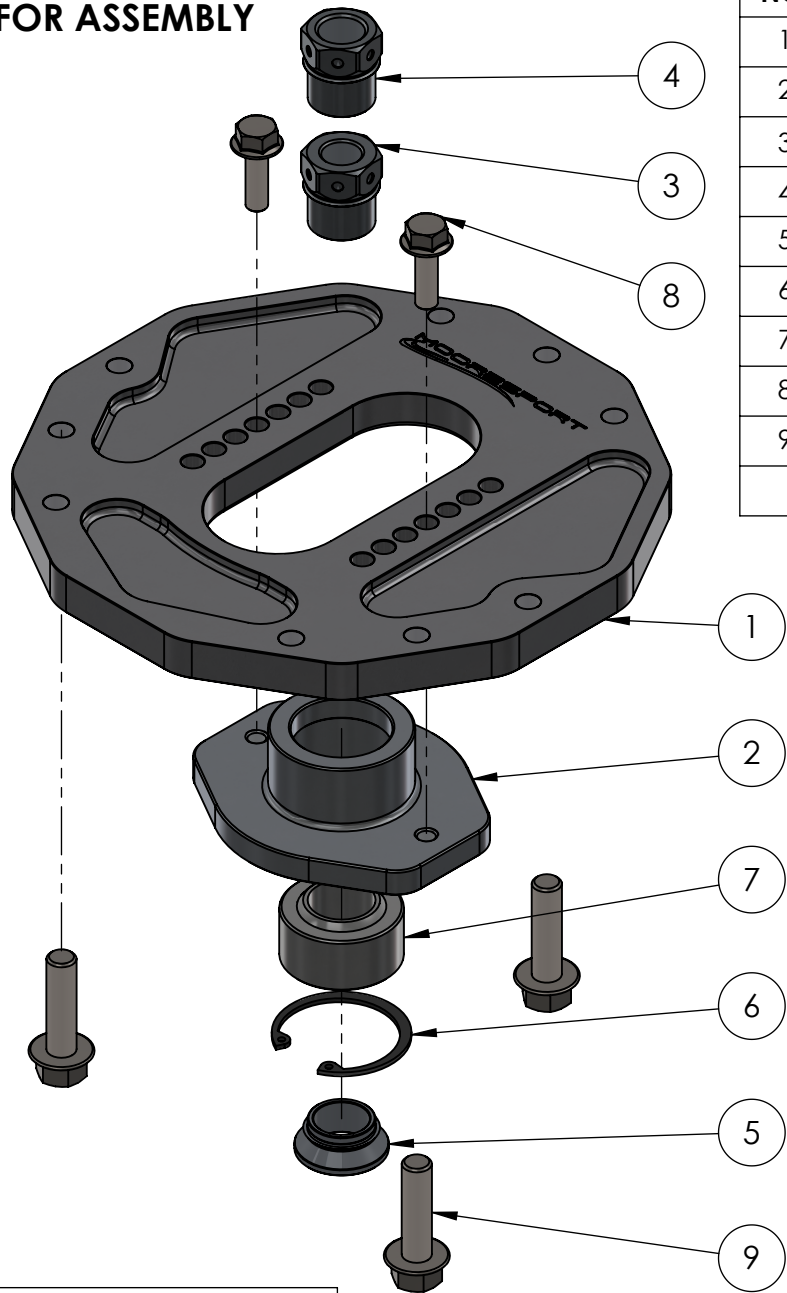
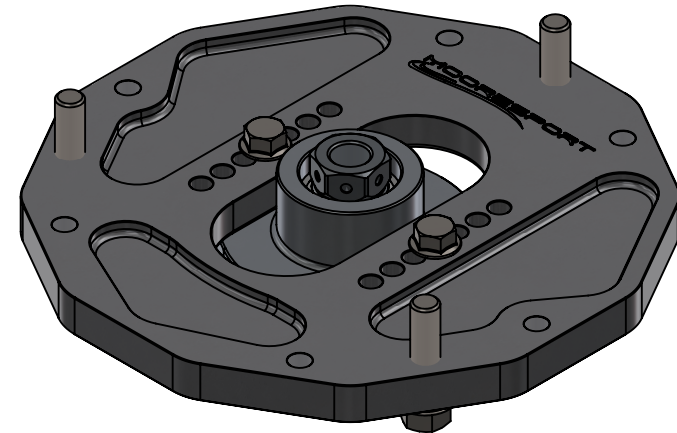


BOM FOR ASSEMBLY



NO.	PART NUMBER	DESCRIPTION	QTY.
1	MSIsub02-19-001A	Front GR Top Mount Base	2
2	DMS-mnt-2pcs-002a	Street Front Bearing Housing (4pc style)	2
3	MSI-MBWT18-12x1.25	M12 x 1.25 Tube Nut	2
4	MSI-MBWT18-14x1.5	M14 x 1.5 Tube Nut	2
5	MSI-MBWT1815x7	18mm OD x 15mm ID x 7mm H Spacer	2
6	MSI-bearing-001a	33mm bearing retaining clip	2
7	MSI-bearing-002	Std 18mm ID Street Bearing	2
8	MSI-M6X1.0X20-YZFB	Yellow Flange Bolt M6 x 1.0 x 20mm	4
9	MSI-M8X1.25X30-YZFB	Yellow Flange Bolt M8 x 1.25 x 30mm	6
		<i>UL-S-11239 Shipping Box 14.125" x 8.75" x 2" (White)</i>	



THE INFORMATION CONTAINED IN THIS DRAWING IS THE SOLE PROPERTY OF MSI (Moore-Sport INC). ANY REPRODUCTION IN PART OR AS A WHOLE IS STRICTLY PROHIBITED.



GR Front Street Camber Plate

CAR MODEL	GR	CONFIGURATION:	ASSEMBLY:	REV	2021-12-15
APPLICATION	Street	Default	MSIsub02-19-001	1	1602.68