

**INSTALLATION
IN CAMBER
ONLY POSITION**

MOORESPORT

CAMBER ADJUSTMENT

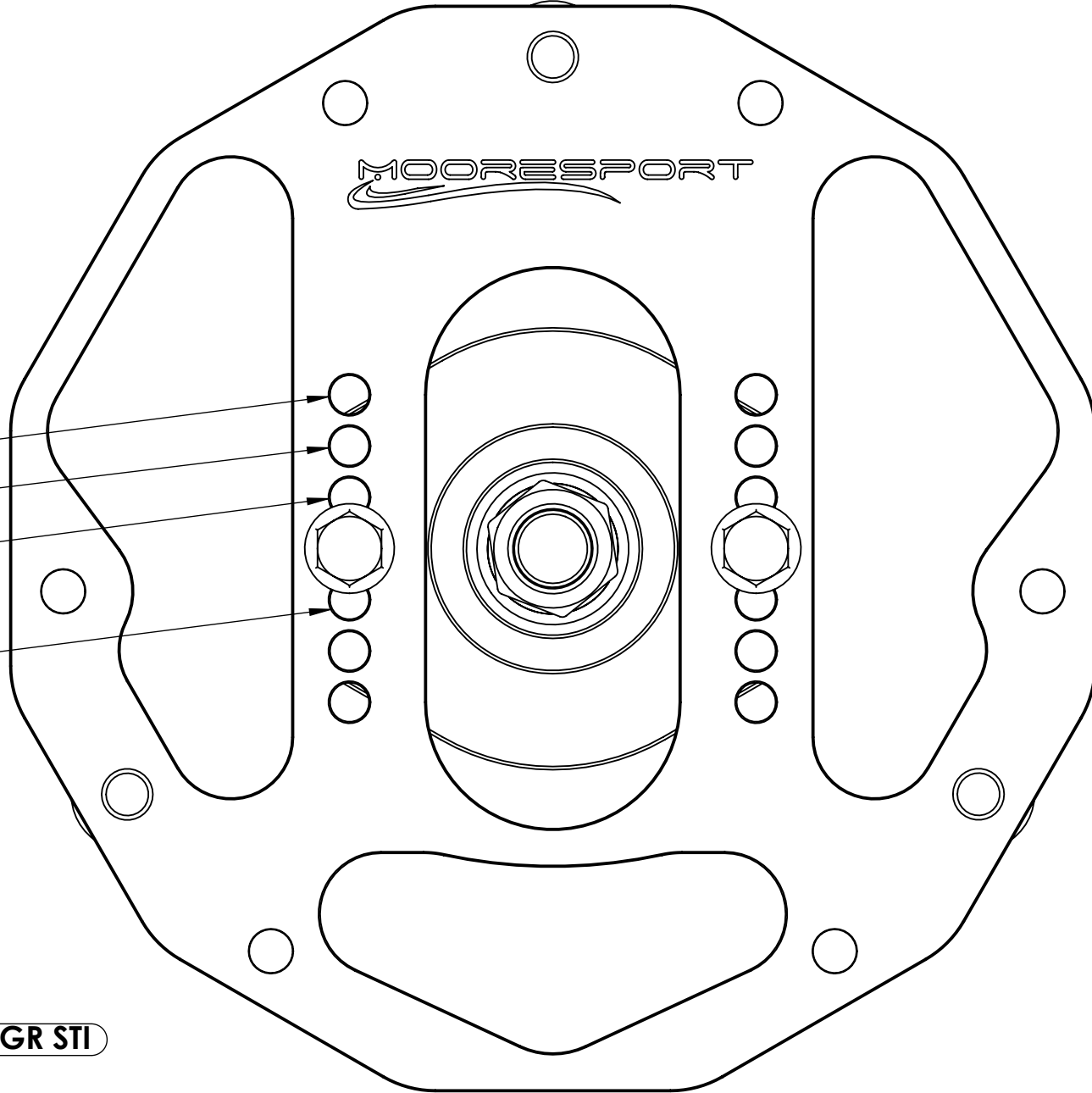
MAX -2.70°

-2.00°

-1.25°

OEM -0.50°

****Measures Based on Stock GR STI**



THE INFORMATION CONTAINED IN THIS DRAWING IS THE SOLE PROPERTY OF MSI (Moore-Sport INC.). ANY REPRODUCTION IN PART OR AS A WHOLE IS STRICTLY PROHIBITED.

GR Front Street Camber Plate



CAR MODEL	GR	CONFIGURATION:	ASSEMBLY:	REV	2021-12-15
APPLICATION	Street	Default	MSIsub02-19-001	1	1602.68

5

4

3

2

1

A

A

B

B

C

C

D

D

E

E