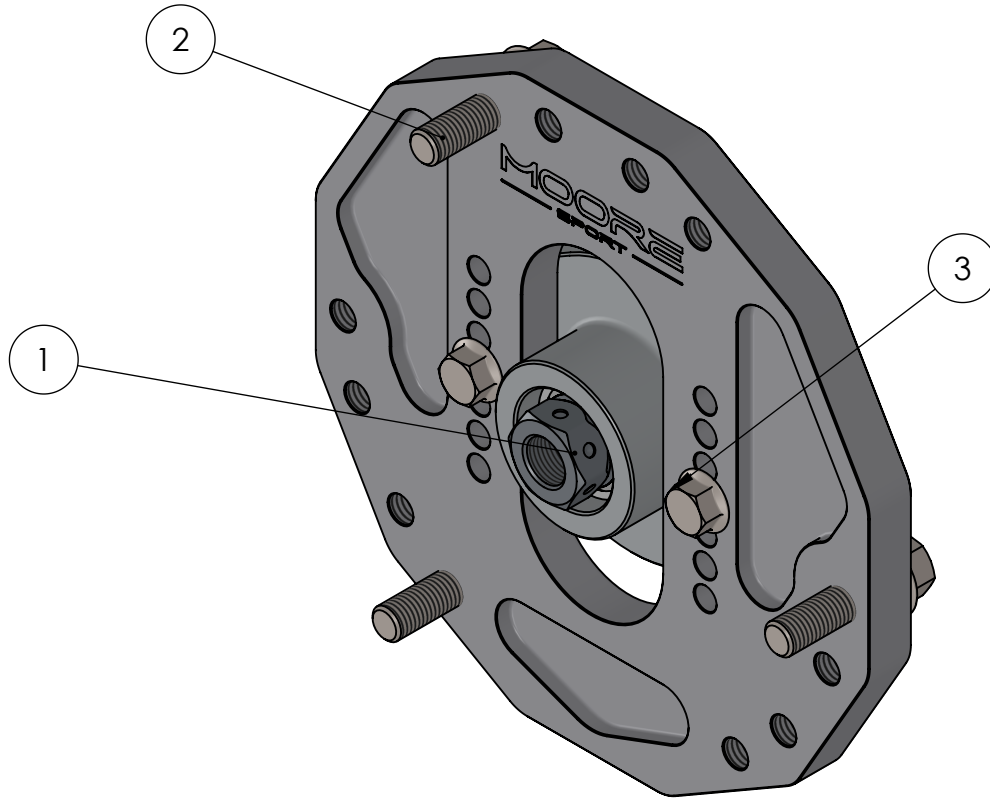


# ASSEMBLY INSTRUCTION

NO.	DESCRIPTION	Nm	Ft/Lb
<i>Use a temporary thread retainer such as Loctite #609</i>			
1	m12 Tube Nut to shock pin	47	34
2	m8 Flange Bolt to mounting plate	18	13
3	m6 aduster plate lock bolt	7	5



THE INFORMATION CONTAINED IN THIS DRAWING IS THE SOLE PROPERTY OF MooreSport Inc. ANY REPRODUCTION IN PART OR AS A WHOLE IS STRICTLY PROHIBITED.

## Front GC / GD street adjustable mount set



CAR MODEL	GC, GD & BRZ
APPLICATION	Street

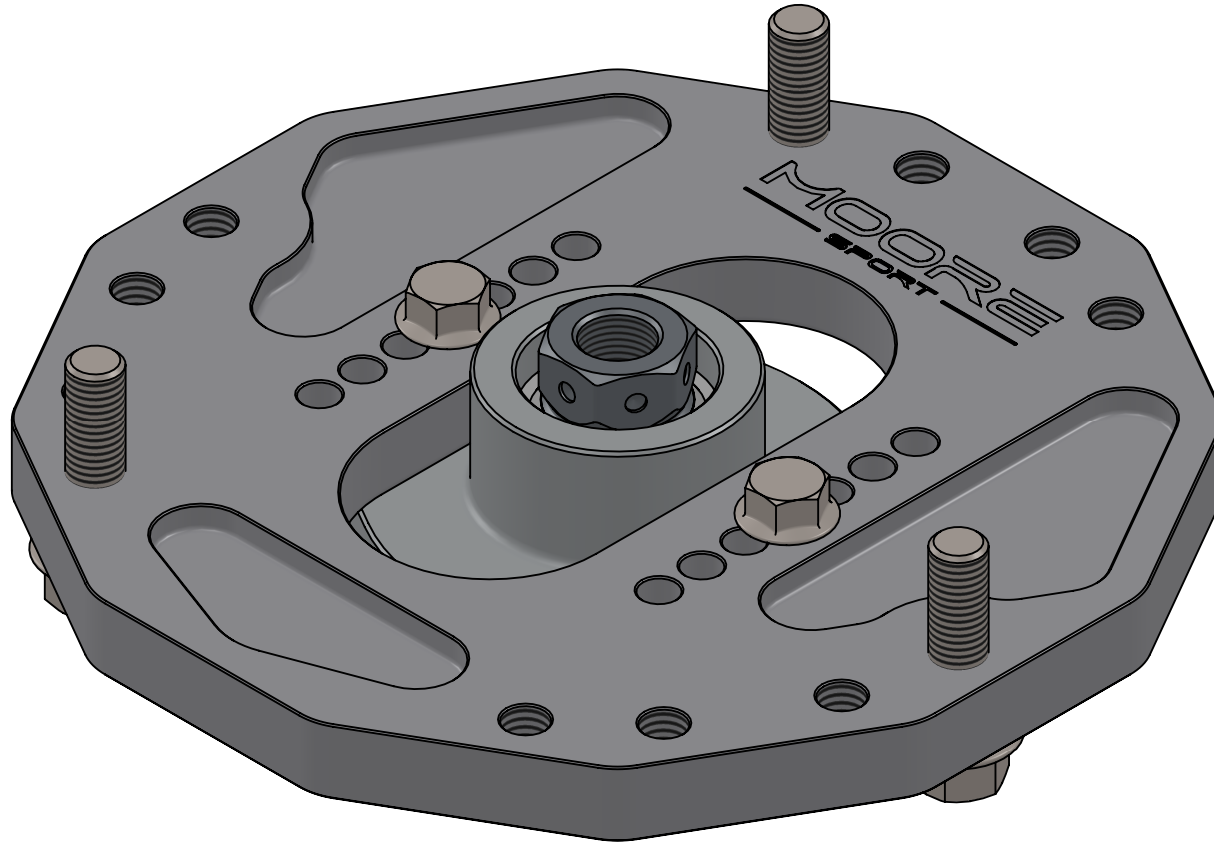
ASSEMBLY:	
MSIsub02-18-001	

REV	9/14/2023
<b>5</b>	SHEET 2 OF 4

**VEHICLE COMPATIBILITY**

**MODEL YEARS**

GC	1992-2000
GD	2000-2007



THE INFORMATION CONTAINED IN THIS DRAWING IS THE SOLE PROPERTY OF MooreSport Inc. ANY REPRODUCTION IN PART OR AS A WHOLE IS STRICTLY PROHIBITED.

**Front GC / GD street adjustable mount set**



<b>CAR MODEL</b>	GC, GD & BRZ
<b>APPLICATION</b>	Street

<b>ASSEMBLY:</b>	
<b>MSIsub02-18-001</b>	

<b>REV</b>	5	9/14/2023
		SHEET 3 OF 4