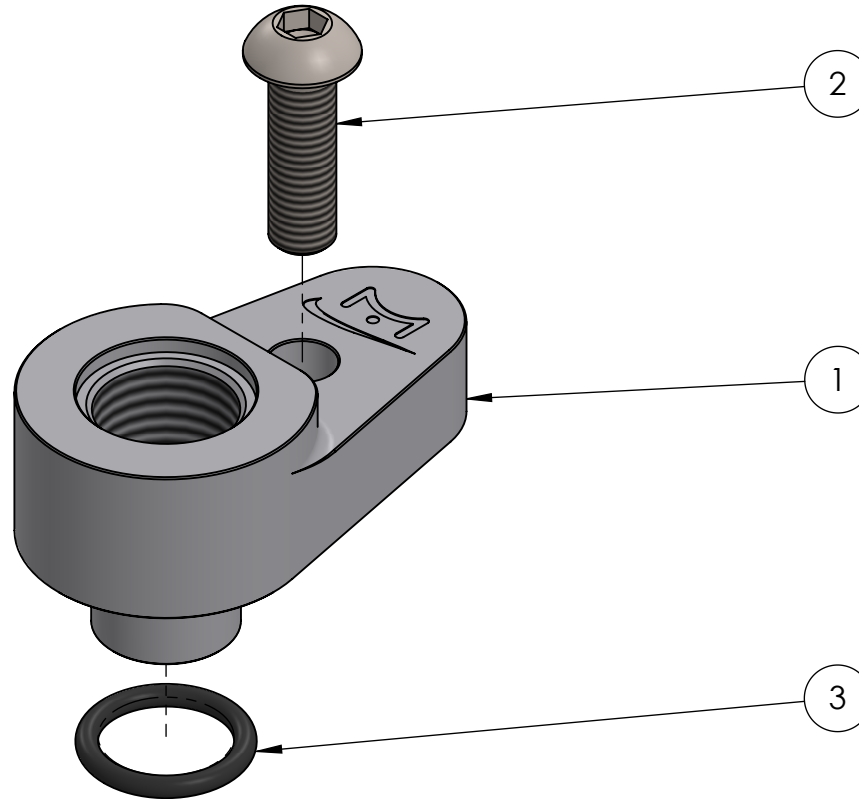


BOM FOR ASSEMBLY

NO.	PART NUMBER	REV.	DESCRIPTION	QTY.
1	MSIsub01-00-030a	3	Power Steering Pump Inlet Adapter	1
2	MSI-M6X1.0X20-SSBH		Stainless Button Head M6 x 1.0 x 20mm	1
3	RB-3-906v90	1	O-ring to suit -06 fittings	1
	<i>UL-S-1707</i>		<i>Shipping Bag Reclosable 3" x 5" (Clear)</i>	<i>1</i>



THE INFORMATION CONTAINED IN THIS DRAWING IS THE SOLE PROPERTY OF MSI (Moore-Sport INC.). ANY REPRODUCTION IN PART OR AS A WHOLE IS STRICTLY PROHIBITED.



Power Steering Inlet Adapter Kit

CAR MODEL	Subaru Impreza	CONFIGURATION:		ASSEMBLY:		REV	1	2021-08-20
APPLICATION	Motorsport ONLY	MSIsub01-00-030		MSIsub01-00-030				29.18