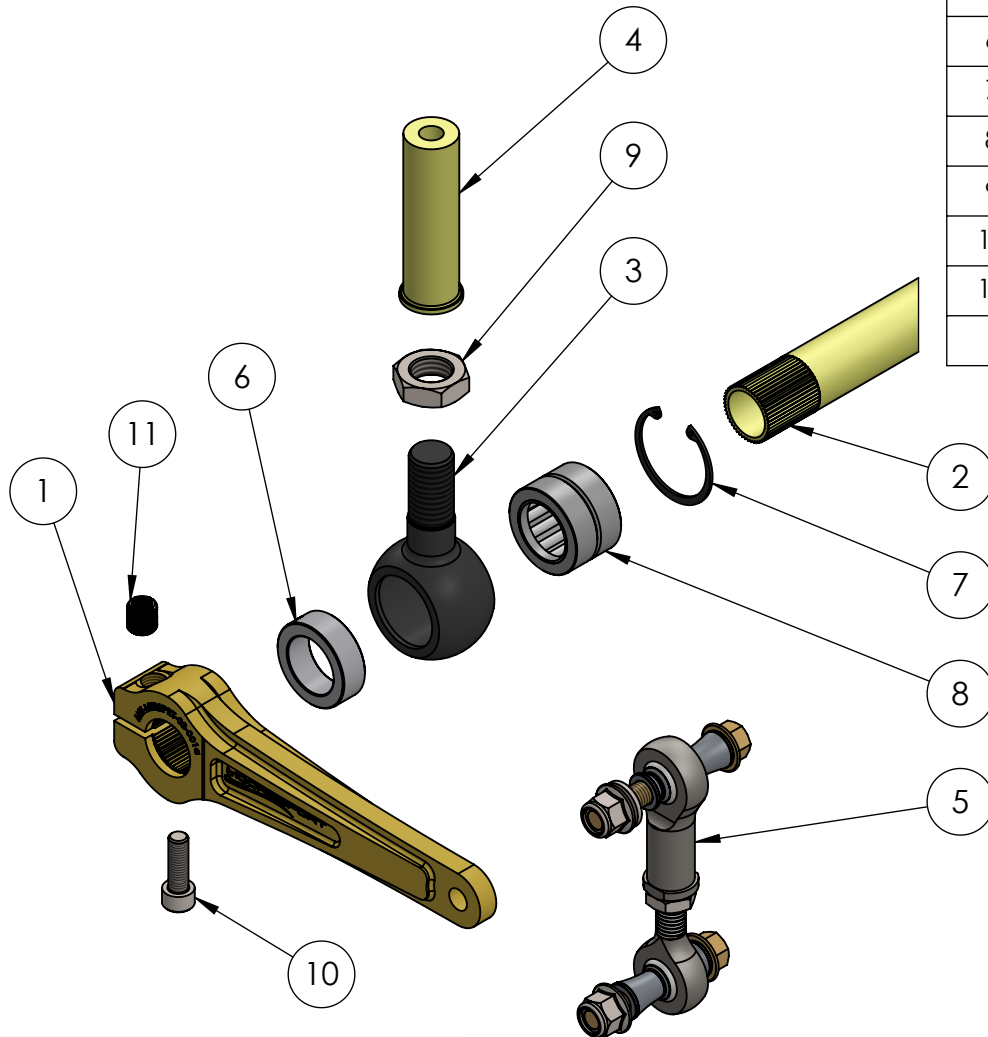


BOM FOR ASSEMBLY

NO.	PART NUMBER	DESCRIPTION	QTY.
1	MSI-MTRSPRT-02-001a	Swaybar blade - Standard Billet	2
2	MSI-MTRSPRT-02-001F-1	1" x 48 Spline Sway Bar 42" - .095" Wall	1
3	MSI-MTRSPRT-02-001k	ADJ. Bearing Housing for 1' swaybar	2
4	MSI-MTRSPRT-02-001J	M18 Threaded housing for weld-in	2
5	MSI-MTRSPRT-02-002	MSI motorsport end link (pair)	1
6	MSIsub05-28-005j	Sway Bar Spacer	2
7	MSI-bearing-003a	38mm Bearing Circlip	2
8	MSI-Bearing-050a	1" ID Roller Bearing	2
9	MSI-M18X1.5-CZJN	Clear Zinc Jam Nut M18 x 1.5	2
10	MSI-M8X1.25X25-SSCS	Stainless Cap Screw M8 x 1.25 x 25mm	2
11	MC-90245A173	M8 x 1.25 KeyLock Insert	2
	<i>UL-S-10665</i>	<i>Shipping Box 40" x 12" x 12" (Kraft)</i>	



THE INFORMATION CONTAINED IN THIS DRAWING IS THE SOLE PROPERTY OF MSI (Moore-Sport INC.). ANY REPRODUCTION IN PART OR AS A WHOLE IS STRICTLY PROHIBITED.

42' swaybar (adj.bearing with straight blades)



CAR MODEL	Universal	CONFIGURATION:	ASSEMBLY:	REV	2022-03-22
APPLICATION		Default	MSI-MTRSPRT-02-001	1	3401.43