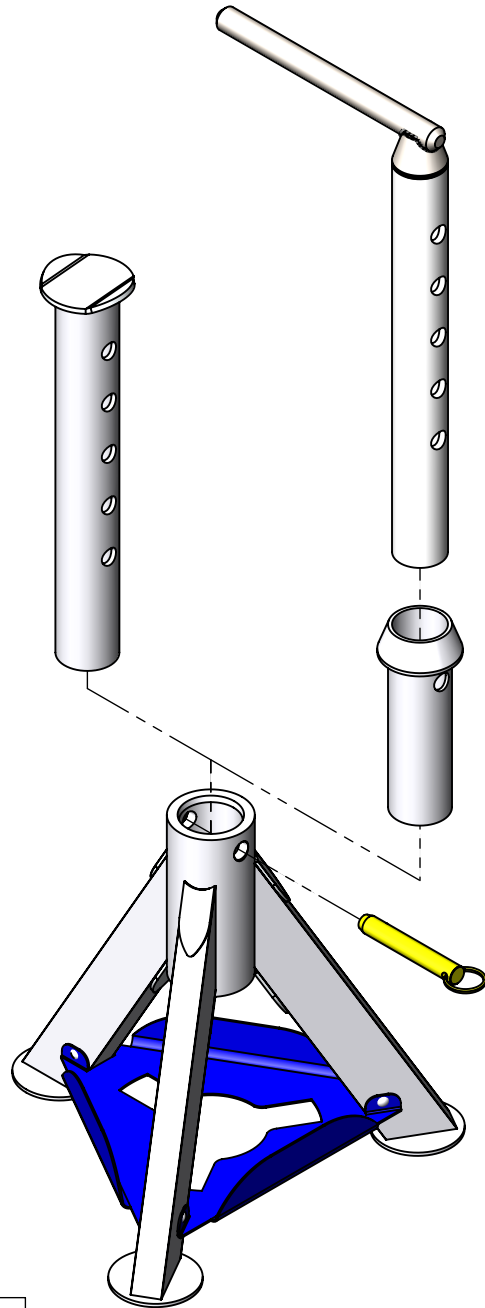


# BOM FOR ASSEMBLY



NO.	PART NUMBER	DESCRIPTION	QTY.
1	MSI-TOOL-05-002f	2" Adjustable Pin	1
2	MSI-Tool-05-002-ASSY		1
3	MC-98320A630	5/8" x 3" Locking Pin	1
4	MC-98778A501	3/16" Rivet	6
5	MSI-TOOL-05-002a	Leg Support	3
6	MSI-TOOL-05-002i	Upper Saddle	1
7		Reducer Sleeve	1
8		Adjustable post assembly - PIN type	1

THE INFORMATION CONTAINED IN THIS DRAWING IS THE SOLE PROPERTY OF MSI (Moore-Sport INC.). ANY REPRODUCTION IN PART OR AS A WHOLE IS STRICTLY PROHIBITED.



## Complete Aluminum Adjustable Stand - assy

CAR MODEL	Universal	CONFIGURATION:	ASSEMBLY:	REV	2	2023-10-24
APPLICATION	Universal	Pin Option	MSI-Tool-05-002			6151.91