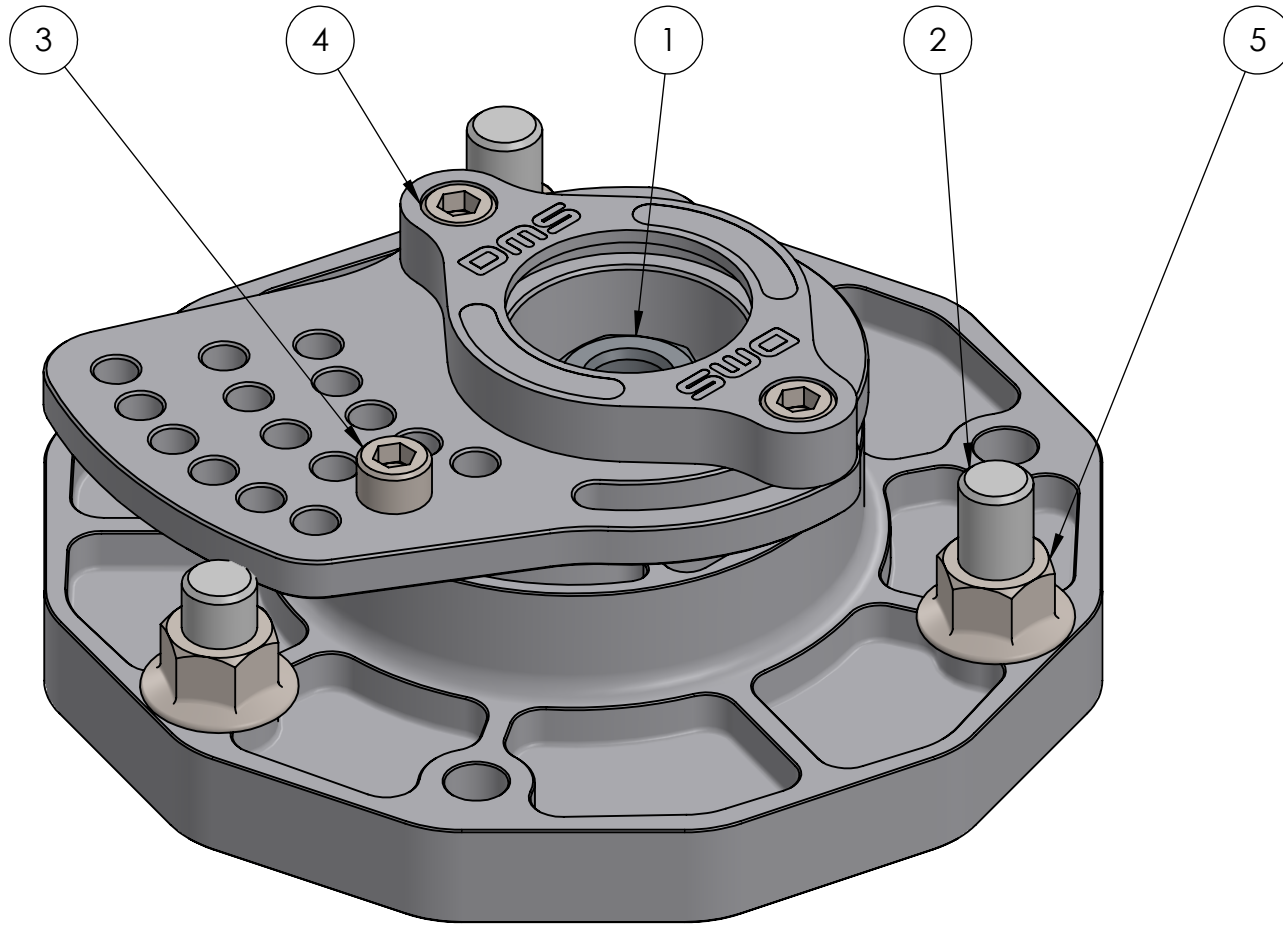


INSTALLATION INSTRUCTIONS

NO.	DESCRIPTION	Nm	Ft/Lb
<i>(Use a temporary thread retainer such as Loctite #609)</i>			
1	m12 Tube Nut to shock pin	47	34
2	m10 SS Cap Screw to mounting plate	18	13
3	m6 aduster plate lock bolt	7	5
4	m6 bearing housing bolt	7	5
5	M10 Nut to car	47	34



THE INFORMATION CONTAINED IN THIS DRAWING IS THE SOLE PROPERTY OF MSI (Moore-Sport INC). ANY REPRODUCTION IN PART OR AS A WHOLE IS STRICTLY PROHIBITED.

Evo X Motorsport topmount

CAR MODEL	EVO X	CONFIGURATION:	ASSEMBLY:	REV	08/06/2016
APPLICATION	Street / Motorsport	Default	DMS-mnt-mi-006	2	SHEET 3 OF 6



