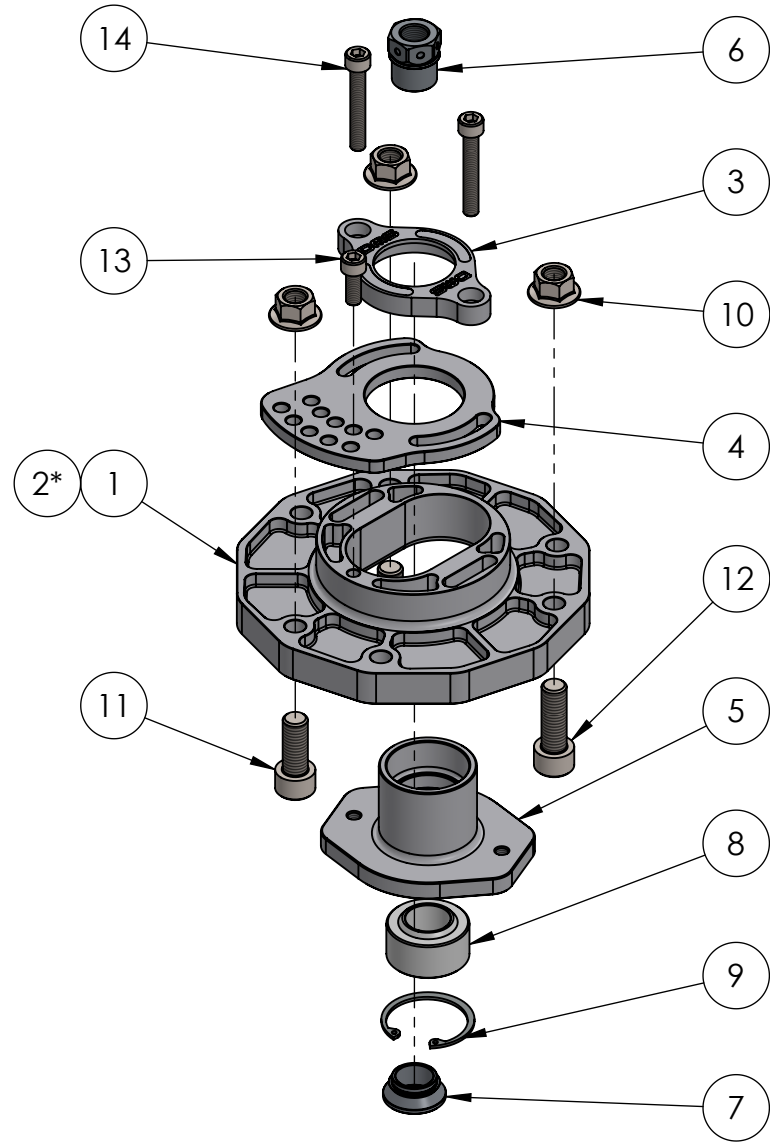
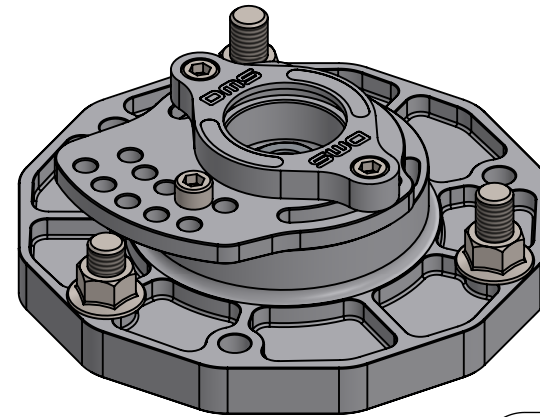


# BOM FOR ASSEMBLY



NO.	PART NUMBER	DESCRIPTION	QTY.
1	DMS-mnt-mi-006a	EVO X LH Front Top Plate	1
2*	DMS-mnt-mi-006b	EVO X RH Front Top Plate	1
3	DMS-MNT-4PCS-001b	DMS mount open end cap	2
4	DMS-MNT-4PCS-002b	Increment Plate - Short version	2
5	DMS-MNT-4PCS-003a	DMS 4 pcs mount bearing housing	2
6	MSI-MBWT18-12x1.25	M12 x 1.25 Tube Nut	2
7	MSI-MBWT1815x7	18mm OD x 15mm ID x 7mm H Spacer	2
8	MSI-bearing-001	18mm ID x 33mm OD Std MSI Bearing	2
9	MSI-bearing-001a	33mm bearing retaining clip	2
10	MSI-M10X1.5-YZFN	Yellow Flange Nut M10 x 1.5	6
11	MSI-M10X1.5X25-SSCS	Stainless Cap Screw M10 x 1.5 x 25mm	2
12	MSI-M10X1.5X30-SSCS	Stainless Cap Screw M10 x 1.5 x 30mm	4
13	MSI-M6X1.0X16-SSCS	Stainless Cap Screw M6 x 1.0 x 16mm	2
14	MSI-M6X1.0X40-SSCS	Stainless Cap Screw M6 x 1.0 x 40mm	4
	<i>UL-S-13281</i>	<i>Shipping Box 14" x 10" x 3" (White)</i>	

\* NOT SHOWN IN DRAWING



**LH SIDE SHOWN  
RH SIDE OPPOSITE**

THE INFORMATION CONTAINED IN THIS DRAWING IS THE SOLE PROPERTY OF MSI (Moore-Sport INC.). ANY REPRODUCTION IN PART OR AS A WHOLE IS STRICTLY PROHIBITED.



Evo X Motorsport topmount

CAR MODEL	EVO X	CONFIGURATION:	ASSEMBLY:	REV	2022-04-26
APPLICATION	Street / Motorsport	<b>Default</b>	<b>DMS-mnt-mi-006</b>	<b>2</b>	1496.931