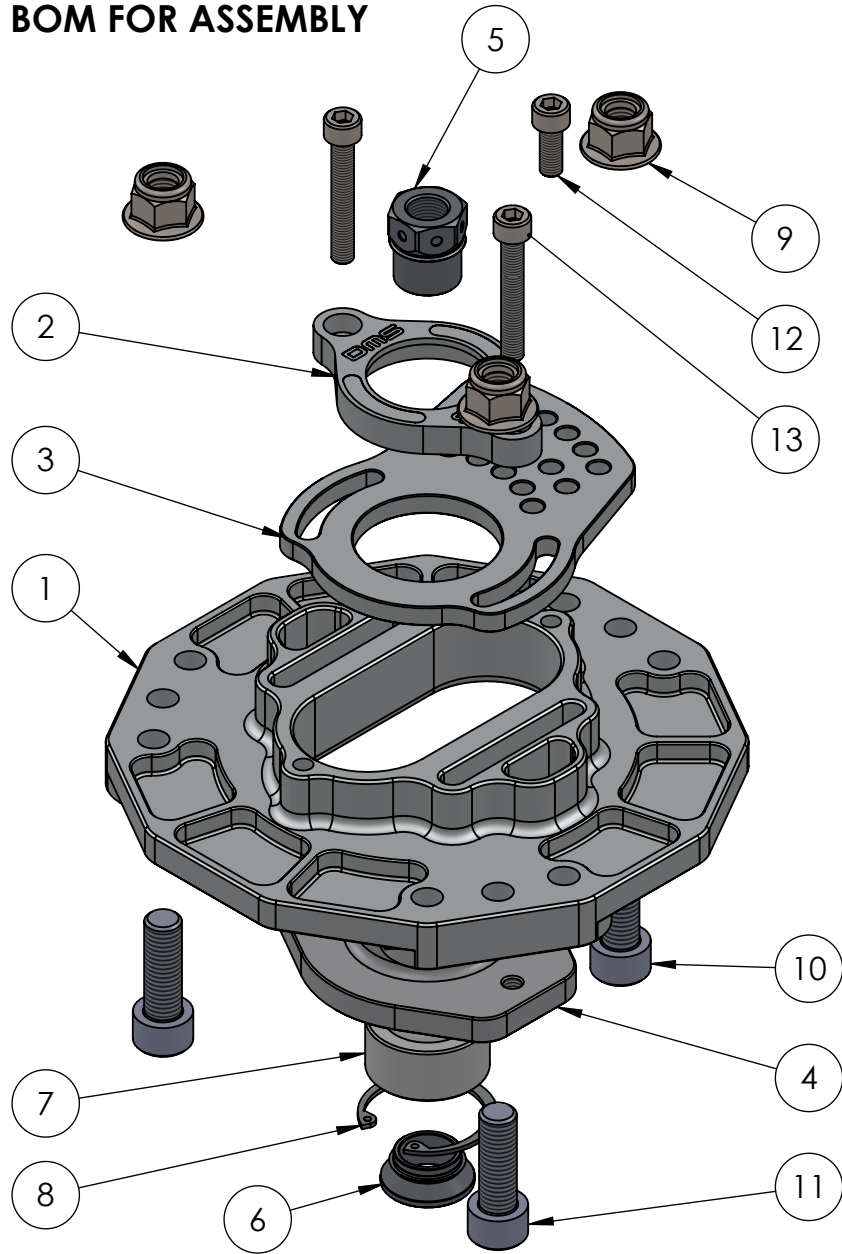
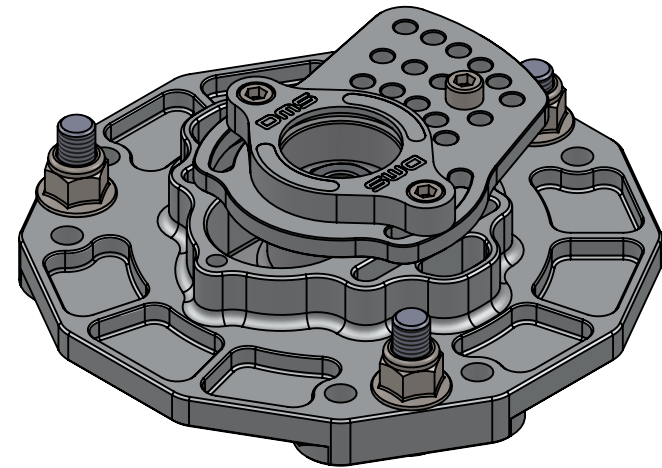


BOM FOR ASSEMBLY



NO.	PART NUMBER	DESCRIPTION	QTY.
1	DMS-mnt-mi-003a	Mitsubishi race topmount	2
2	DMS-MNT-4PCS-001b	DMS mount open end cap	2
3	DMS-MNT-4PCS-002a	DMS 4 pcs mount locking plate	2
4	DMS-MNT-4PCS-003a	DMS 4 pcs mount bearing housing	2
5	MSI-MBWT18-12x1.25	M12 x 1.25 Tube Nut	2
6	MSI-MBWT1815x7	18mm OD x 15mm ID x 7mm H Spacer	2
7	MSI-bearing-001	18mm ID x 33mm OD Std MSI Bearing	2
8	MSI-bearing-001a	33mm bearing retaining clip	2
9	MSI-M10X1.5-CZNN	Clear Zinc Nyloc Nut M10 x 1.5	6
10	MSI-M10X1.5X25-SSCS	Stainless Cap Screw M10 x 1.5 x 25mm	2
11	MSI-M10X1.5X30-SSCS	Stainless Cap Screw M10 x 1.5 x 30mm	4
12	MSI-M6X1.0X16-SSCS	Stainless Cap Screw M6 x 1.0 x 16mm	2
13	MSI-M6X1.0X40-SSCS	Stainless Cap Screw M6 x 1.0 x 40mm	4
	<i>UL-S-13281</i>	<i>Shipping Box 14" x 10" x 3" (White)</i>	



THE INFORMATION CONTAINED IN THIS DRAWING IS THE SOLE PROPERTY OF MSI (Moore-Sport INC). ANY REPRODUCTION IN PART OR AS A WHOLE IS STRICTLY PROHIBITED.



LH Assembly

CAR MODEL	Mitsubishi EVO 6/9	CONFIGURATION:	Default	ASSEMBLY:	DMS-mnt-mi-003	REV	6	2022-08-15
APPLICATION	Street / Motorsport							1775.64