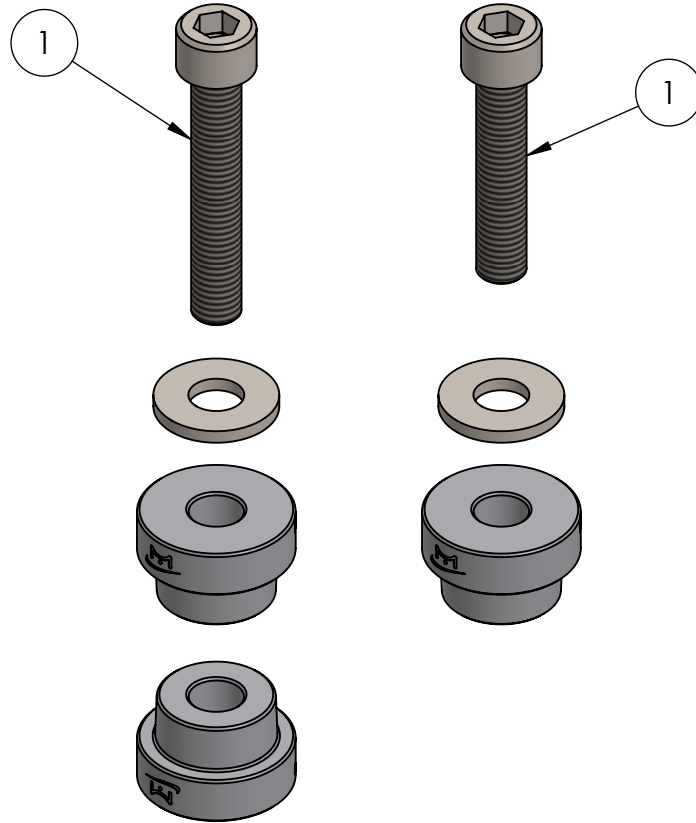


TORQUE VALUES

NO.	DESCRIPTION	Nm	Ft/Lb
<i>*Use a temporary thread retainer such as Loctite #609</i>			
1	m10 Bolt to Subframe	85	62.7



THE INFORMATION CONTAINED IN THIS DRAWING IS THE SOLE PROPERTY OF MSI (Moore-Sport INC). ANY REPRODUCTION IN PART OR AS A WHOLE IS STRICTLY PROHIBITED.



PS Rack solid bushing kit - MSI Subframe

CAR MODEL	2015+ Impreza (VA Chassis)	CONFIGURATION:	MSIsub05-30-010	ASSEMBLY:	MSIsub05-30-010	REV	1	2021-07-22
APPLICATION	Motorsport ONLY							98.07