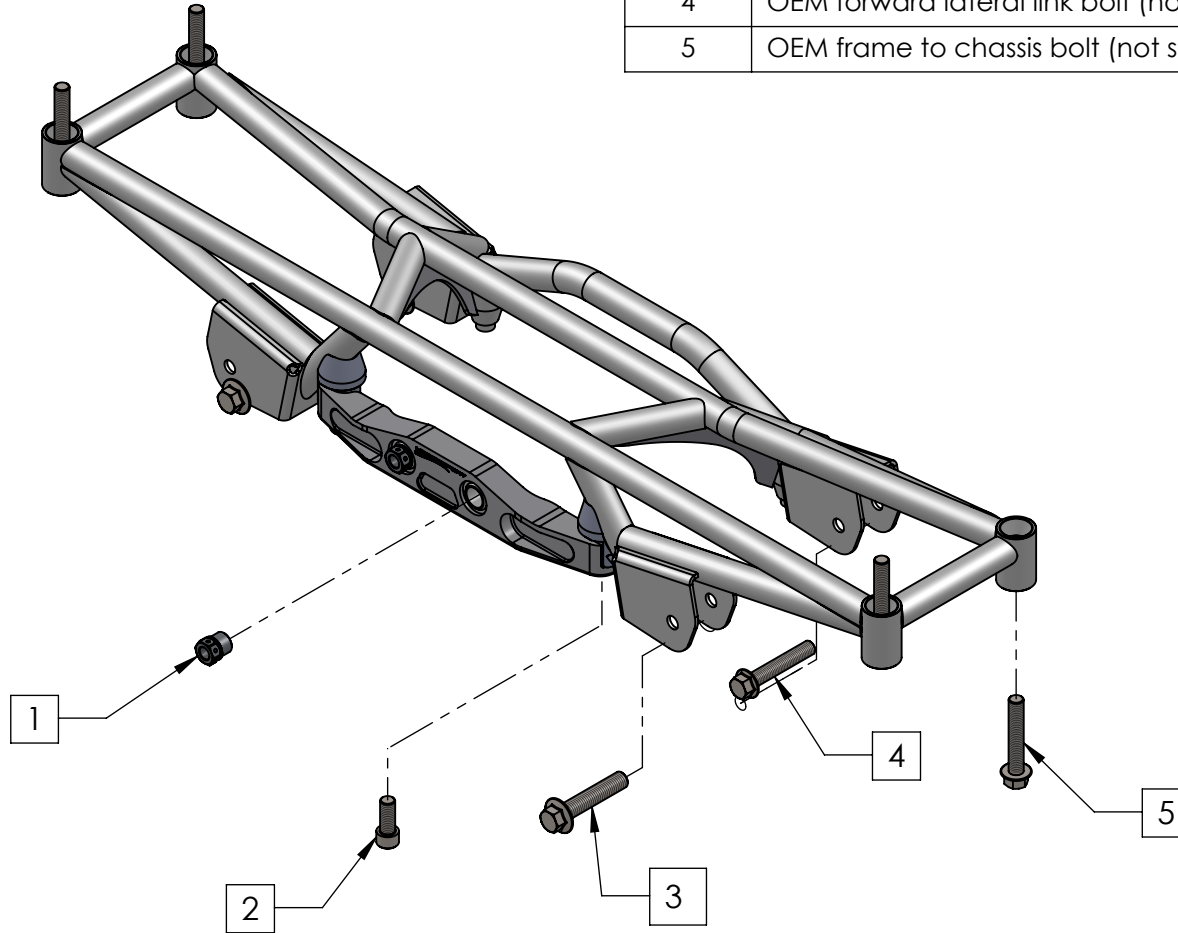


TORQUE SETTINGS

| NO. | DESCRIPTION | Nm | Ft/Lb |
|--|---|-----|-------|
| <i>*Use a temporary thread retainer such as LocTite #609</i> | | | |
| Items #3, #4, #5 are OEM bolts not included in MooreSport Subframes | | | |
| 1* | m12 Tube Nut - diff mount to differential | 70 | 52 |
| 2* | m12 Cap Screw - diff mount to frame | 70 | 52 |
| 3 | OEM rear lateral link bolt (not supplied in kit) | 100 | 74 |
| 4 | OEM forward lateral link bolt (not supplied in kit) | 100 | 74 |
| 5 | OEM frame to chassis bolt (not supplied in kit) | 130 | 96 |



THE INFORMATION CONTAINED IN THIS DRAWING IS THE SOLE PROPERTY OF MSI (Moore-Sport INC.). ANY REPRODUCTION IN PART OR AS A WHOLE IS STRICTLY PROHIBITED.



Circuit Subframe

| | | | | | |
|-------------|-----------------|----------------|------------------------|----------|------------|
| CAR MODEL | Impreza GC/GD | CONFIGURATION: | ASSEMBLY: | REV | 2023-11-30 |
| APPLICATION | Motorsport ONLY | Default | MSIsub05-28-001 | 2 | 7247.96 |