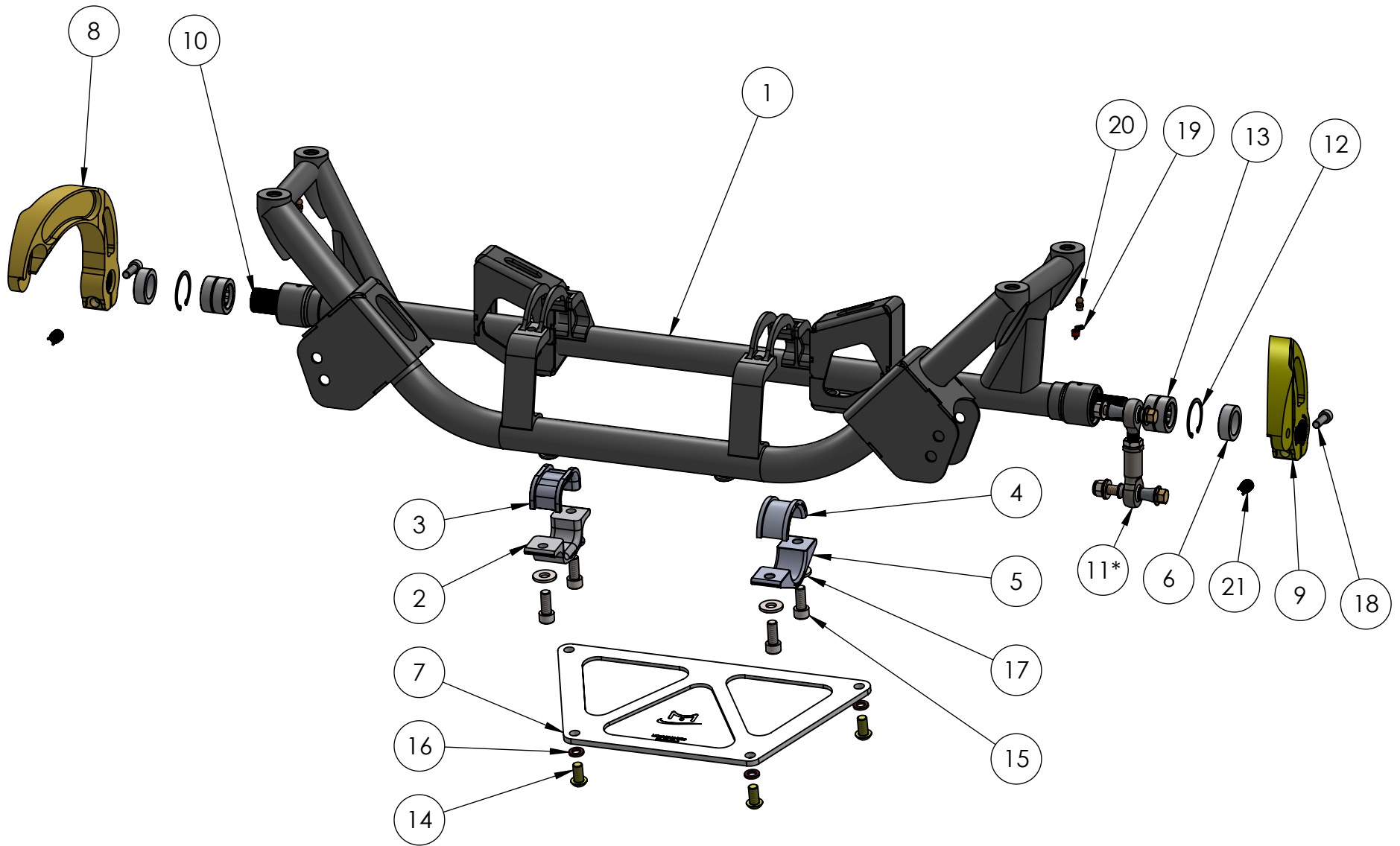


BOM FOR ASSEMBLY



** Seperate BOM Number*

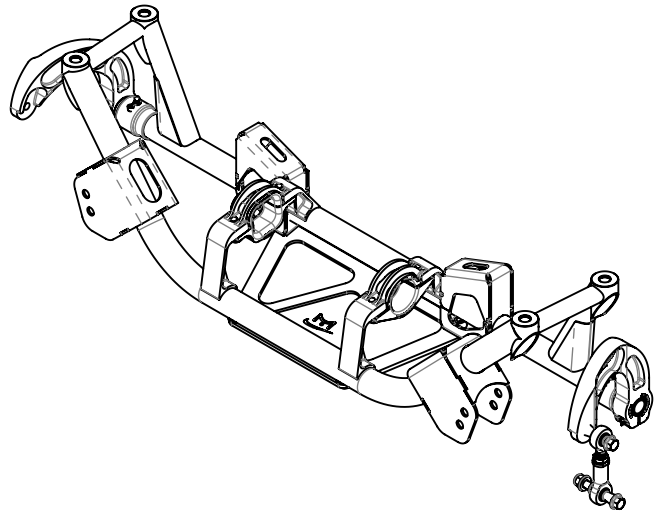
THE INFORMATION CONTAINED IN THIS DRAWING IS THE SOLE PROPERTY OF MSI (Moore-Sport INC.). ANY REPRODUCTION IN PART OR AS A WHOLE IS STRICTLY PROHIBITED.

Front Subframe GC (1993 - 2004)



CAR MODEL Impreza GC - 47mm steering rack	CONFIGURATION:	ASSEMBLY:	REV 7	2023-12-19
APPLICATION Street / Motorsport	Default	MSIsub05-12-005		11927.160

BOM FOR ASSEMBLY



NO.	PART NUMBER	DESCRIPTION	QTY.
1	MSIsub05-28-004	Impreza Front Subframe - Finished Painted	1
2	MSIsub05-28-005E	Steering rack mount - SQUARE	1
3	MSIsub05-28-005d	Steering Rack insert - square upper	1
4	MSIsub05-28-005h	Steering rack insert - RND 47mm (GC/GD/VA)	1
5	MSIsub05-28-005i	Steering rack bracket - 47mm (GC/GD/VA)	1
6	MSIsub05-28-005j	Sway Bar Spacer	2
7	MSIsub05-28-005w	Machined Subframe Plate	1
8	MSI-MTRSPRT-02-001B-LH	LH Front Sway Bar blade	1
9	MSI-MTRSPRT-02-001B-RH	RH Front Sway Bar blade	1
10	MSI-MTRSPRT-02-001e-1	1"x48 spline 39" Sway Bar .095" wall	1
11*	MSI-MTRSPRT-02-002	MSI motorsport end link (pair)	1
12	MSI-bearing-003a	38mm Bearing Circlip	2
13	MSI-Bearing-050	1" ID Roller Bearing	2
14	MSI-M10X1.25X20-ALBH	Aluminum Button Head M10 x 1.25 x 20mm	4
15	MSI-M10X1.25X25-BLCS	Black Cap Screw M10 x 1.25 x 25mm	4
16	MSI-M10X16-HFFW	Hard Fiber Flat Washer M10 x 16mm OD	4
17	MSI-M10X25-CZFW	Clear Zinc Flat Washer M10 x 25mm OD	4
18	MSI-M8X1.25X25-SSCS	Stainless Cap Screw M8 x 1.25 x 25mm	2
19	MC-1098k14	Grease Zert Dust Cap	2
20	MC-1105K71	Grease Zert	2
21	MC-90245A173	M8 x 1.25 KeyLock Insert	2
	<i>UL-S-10665</i>	<i>Shipping Box 40" x 12" x 12" (Kraft)</i>	

*** Seperate BOM Number**

THE INFORMATION CONTAINED IN THIS DRAWING IS THE SOLE PROPERTY OF MSI (Moore-Sport INC). ANY REPRODUCTION IN PART OR AS A WHOLE IS STRICTLY PROHIBITED.



Front Subframe GC (1993 - 2004)

CAR MODEL	Impreza GC - 47mm steering rack	CONFIGURATION:	ASSEMBLY:	REV	7	2023-12-19
APPLICATION	Street / Motorsport	Default	MSIsub05-12-005			11927.160