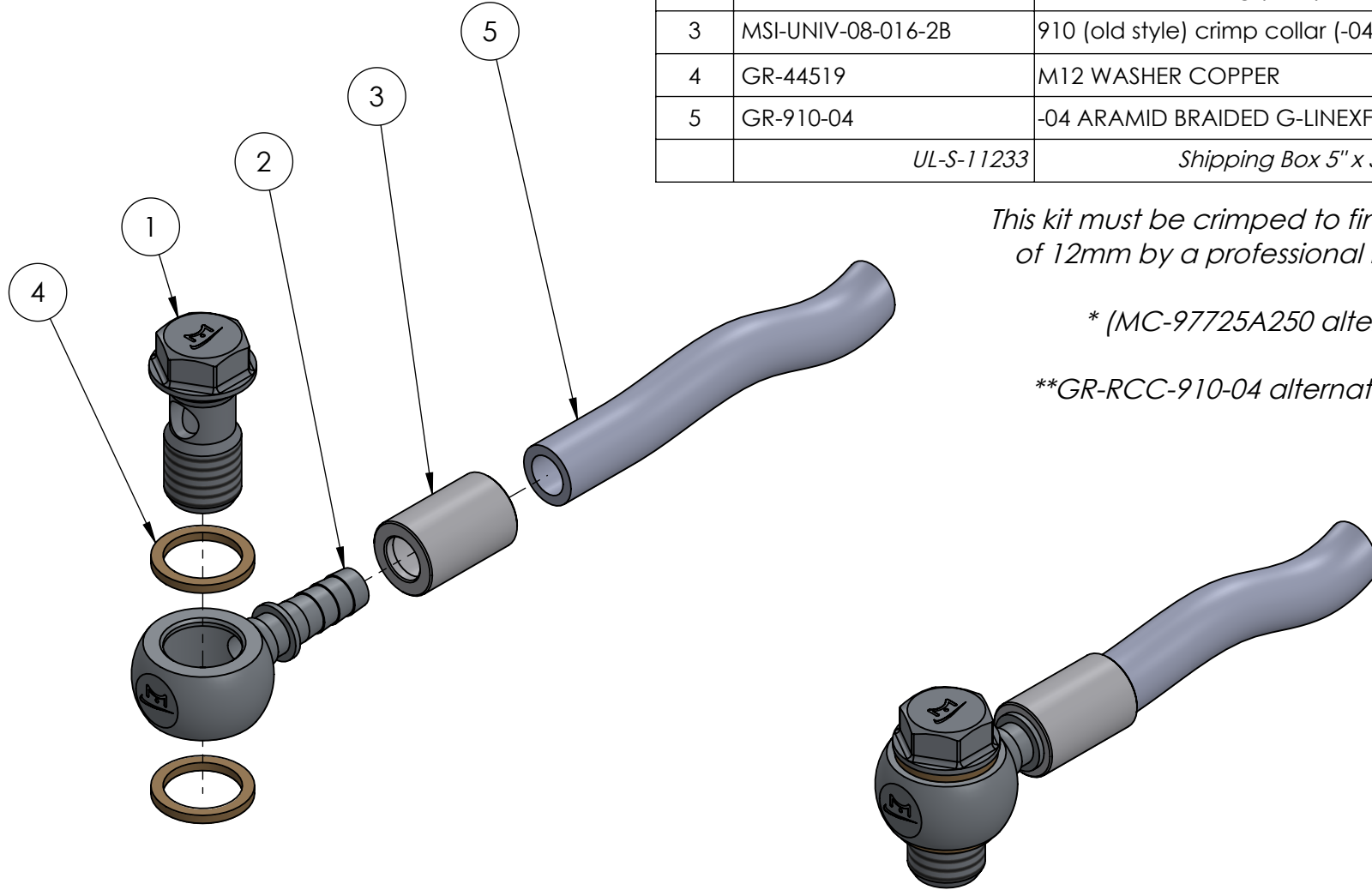


BOM FOR ASSEMBLY

NO.	PART NUMBER	DESCRIPTION	QTY.
1	MSI-UNIV-08-001P-SS	Banjo Bolt-SS M12 X 1.0 (SS)	4
2	MSI-UNIV-08-002c-SS	BANJO crimp fitting (m12) -04 SS	4
3	MSI-UNIV-08-016-2B	910 (old style) crimp collar (-04)	4
4	GR-44519	M12 WASHER COPPER	8
5	GR-910-04	-04 ARAMID BRAIDED G-LINEXF HOSE	3.5
	<i>UL-S-11233</i>	<i>Shipping Box 5" x 5" x 2" (White)</i>	



This kit must be crimped to finish dimensions of 12mm by a professional hydraulic shop

** (MC-97725A250 alternate number)*

***GR-RCC-910-04 alternate part number*

ONE ASSEMBLY SHOWN

THE INFORMATION CONTAINED IN THIS DRAWING IS THE SOLE PROPERTY OF MSI (Moore-Sport INC). ANY REPRODUCTION IN PART OR AS A WHOLE IS STRICTLY PROHIBITED.



Subaru Steering Rack High Pressure Hose Kit

CAR MODEL	Subaru (93-15)	CONFIGURATION:	ASSEMBLY:	REV	2022-08-11
APPLICATION		Default	MSISUB05-00-054	1	156.07

NO.	DESCRIPTION	N-m	ft-lb
1	Banjo Bolt-SS M12 X 1.0 (SS)	17.5 - 24.6	12.9 - 18.2