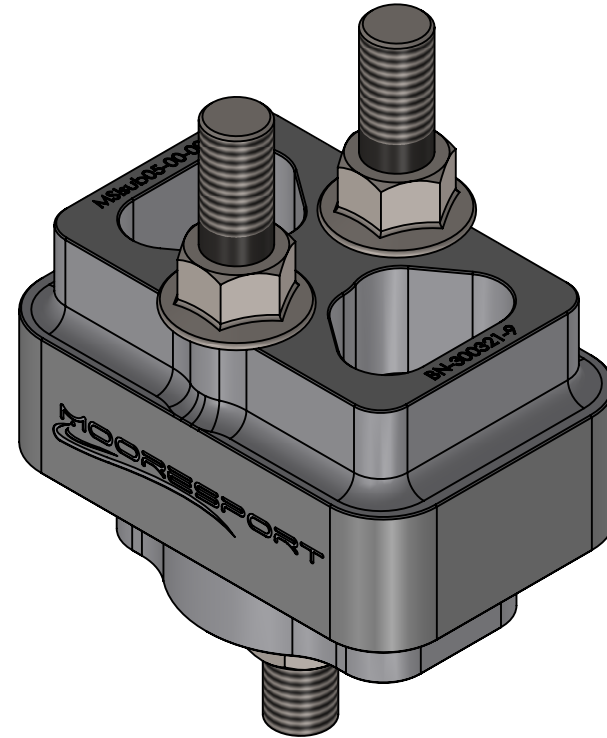
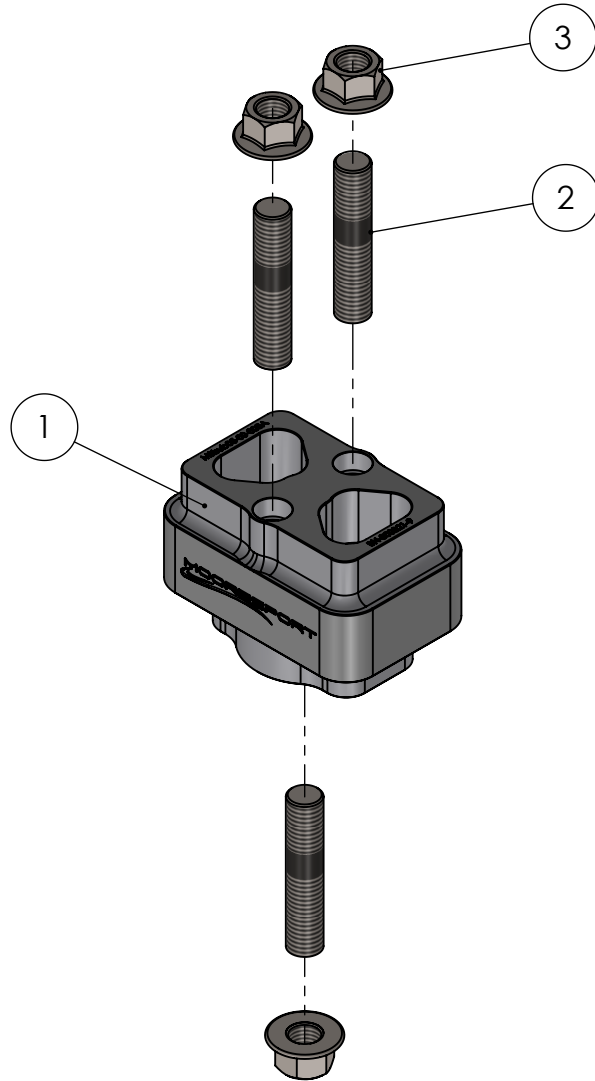


# BOM FOR ASSEMBLY

| NO. | PART NUMBER         | DESCRIPTION                              | QTY. |
|-----|---------------------|--|------|
| 1   | MSIsub05-00-003A    | Subaru solid engine mount (1 pc)         | 2    |
| 2   | MSI-M10X1.25X50-YZS | Yellow Zinc Stud M10 x 1.25 x 50mm       | 6    |
| 3   | MSI-M10X1.25-YZFN   | Yellow Flange Nut M10 x 1.25             | 6    |
|     | <i>UL-S-11235</i>   | <i>Shipping Box 7" x 5" x 5" (White)</i> |      |



THE INFORMATION CONTAINED IN THIS DRAWING IS THE SOLE PROPERTY OF MSI (Moore-Sport INC.). ANY REPRODUCTION IN PART OR AS A WHOLE IS STRICTLY PROHIBITED.



## Subaru solid engine mount - Set

|             |                 |                |         |           |                 |     |   |            |
|-------------|-----------------|----------------|---------|-----------|-----------------|-----|---|------------|
| CAR MODEL   | Impreza         | CONFIGURATION: | Default | ASSEMBLY: | MSIsub05-00-003 | REV | 9 | 2022-03-02 |
| APPLICATION | Motorsport ONLY |                |         |           |                 |     |   |            |