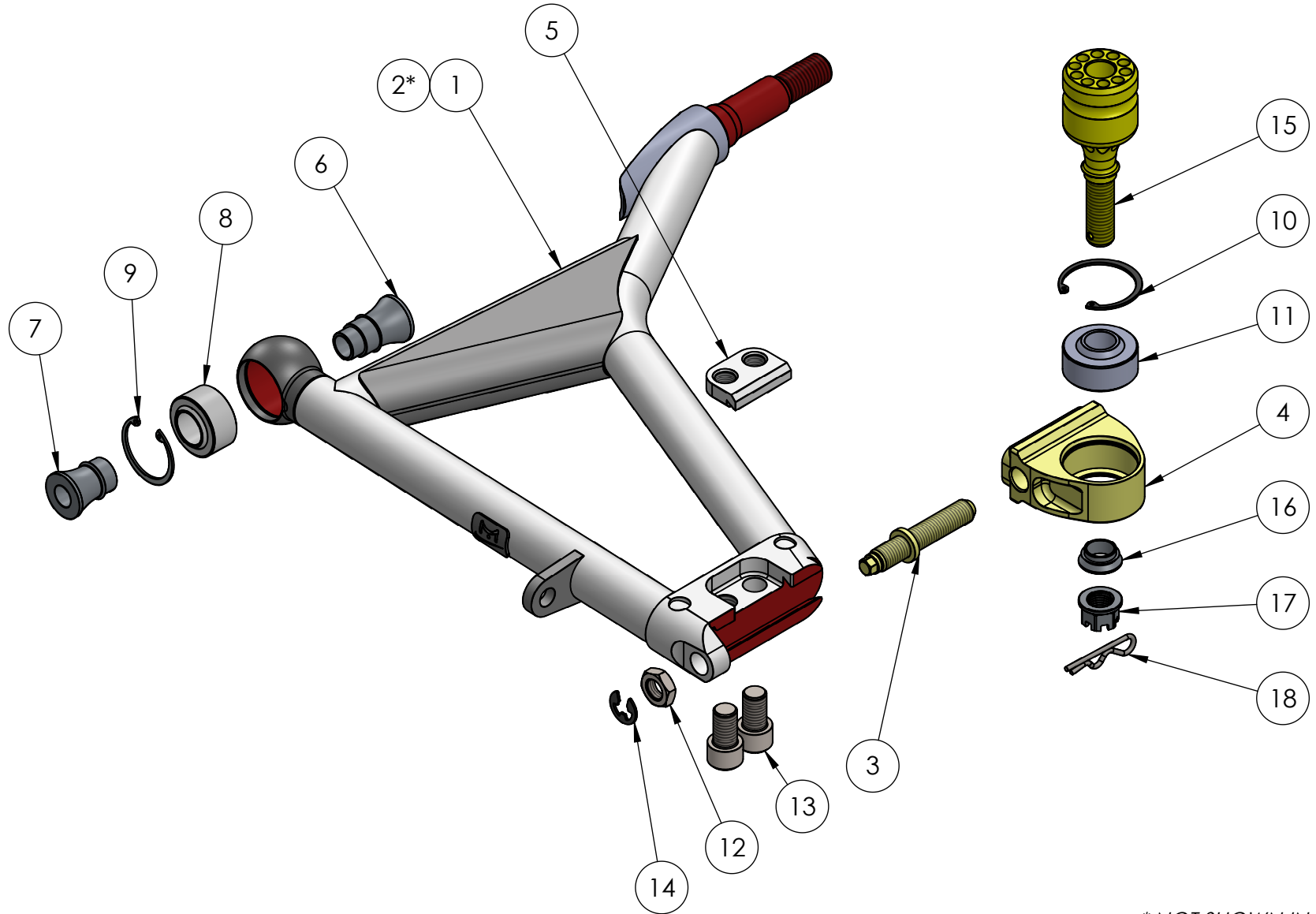


# BOM FOR ASSEMBLY

LH SIDE SHOWN  
RH SIDE OPPOSITE



\* NOT SHOWN IN DRAWING

THE INFORMATION CONTAINED IN THIS DRAWING IS THE SOLE PROPERTY OF MSI (Moore-Sport INC.). ANY REPRODUCTION IN PART OR AS A WHOLE IS STRICTLY PROHIBITED.

## High Caster front TCA w/pin



<b>CAR MODEL</b>	Impreza High Caster	<b>CONFIGURATION:</b>	Default	<b>ASSEMBLY:</b>	MSIsub02-28-008	<b>REV</b>	1	2022-03-22
<b>APPLICATION</b>	Street / Motorsport							6722.951

# BOM FOR ASSEMBLY

NO.	PART NUMBER	DESCRIPTION	QTY.
1	MSIsub02-28-007a-LH	STI (high castor) Adjustable Front TCA - LH	1
2*	MSIsub02-28-007a-RH	STI (high castor) Adjustable Front TCA - RH	1
3	MSI-MTRSPRT-02-024c	Dovetail Adjustment Bolt	2
4	MSI-MTRSPRT-02-024d	Dovetail Bearing housing - 0 degree	2
5	MSI-MTRSPRT-02-024f	Dovetail Clamp Block	2
6	MSI-MBWT1812x20-A-SS	Inside 12mm ID x 20mm Tall Spacer-SS	2
7	MSI-MBWT1812x20-B-SS	Outside 12mm ID x 20mm Tall Spacer-SS	2
8	MSI-bearing-001	18mm ID x 33mm OD Std MSI Bearing	2
9	MSI-bearing-001a	33mm bearing retaining clip	2
10	MSI-bearing-003a	38mm Bearing Circlip	2
11	MSI-Bearing-005	16ID x 38mm OD Bearing	2
12	MSI-M12X1.25-CZJN	Clear Zinc Jam Nut M12 x 1.25	2
13	MSI-M12X1.25X20-BLCS	Black Cap Screw M12 x 1.25 x 20mm	4
14	MC-98543A117	Side Mount Circlip	2
15	MSIsub02-28-001a	OE Upright Pin Adapter	2
16	MSI-GXOW1614x5	Aluminium 5mm Spacer	2
17	MSI-m14x1.5-SSCN	M14 x 1.5 flanged lock nut	2
18	MC-92391A140	2.5mm SS Reusable Cotter Pin	2
	<i>UL-S-4902</i>	<i>Shipping Box 20" x 16" x 6" (Kraft)</i>	

*\* NOT SHOWN IN DRAWING*

THE INFORMATION CONTAINED IN THIS DRAWING IS THE SOLE PROPERTY OF MSI (Moore-Sport INC). ANY REPRODUCTION IN PART OR AS A WHOLE IS STRICTLY PROHIBITED.



## High Caster front TCA w/pin

<b>CAR MODEL</b>	Impreza High Caster	<b>CONFIGURATION:</b>	ASSEMBLY:	<b>REV</b>	2022-03-22
<b>APPLICATION</b>	Street / Motorsport	<b>Default</b>	<b>MSIsub02-28-008</b>	<b>1</b>	6722.951