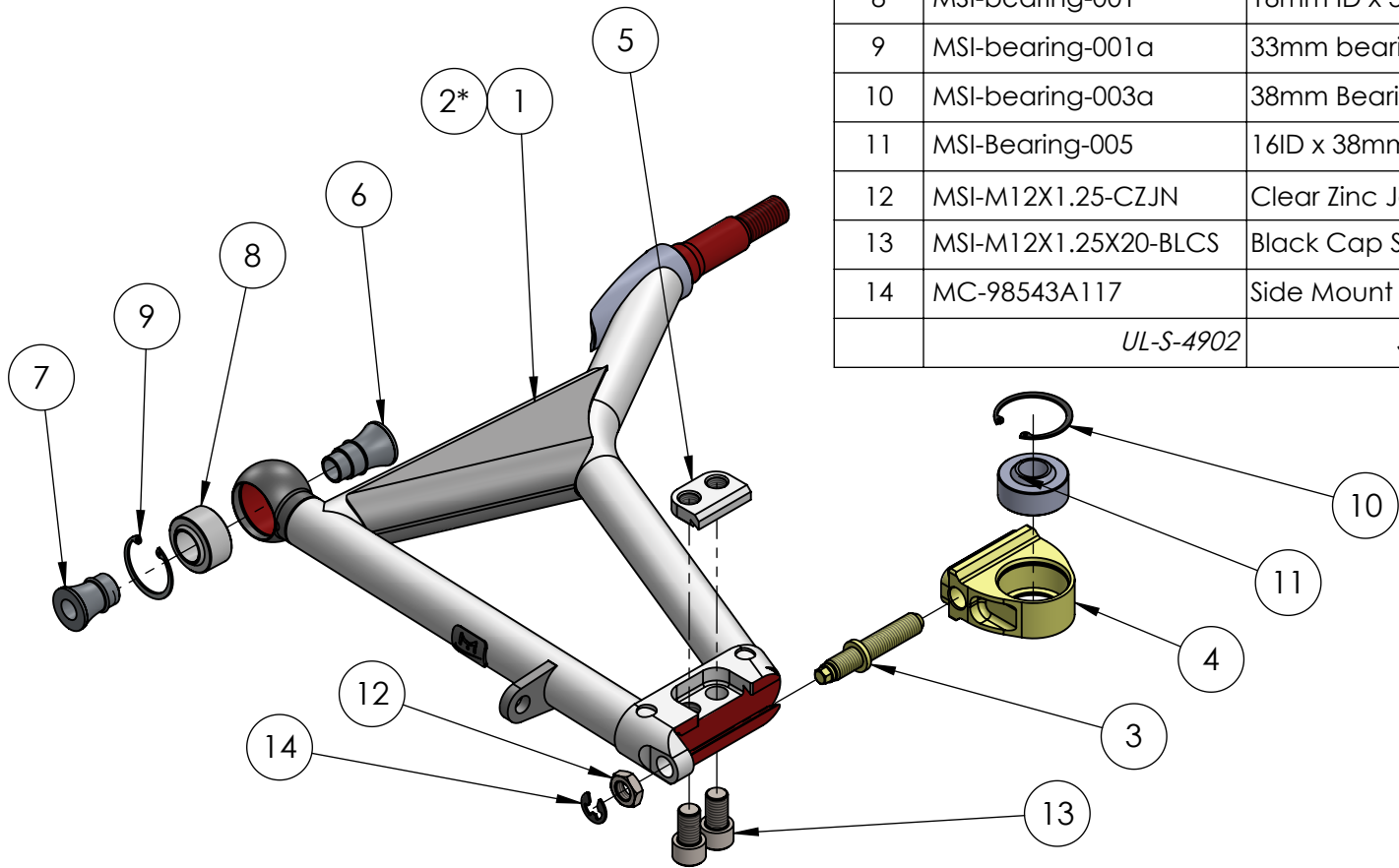


BOM FOR ASSEMBLY

NO.	PART NUMBER	DESCRIPTION	QTY.
1	MSIsub02-28-007a-LH	STI (high castor) Adjustable Front TCA - LH	1
2*	MSIsub02-28-007a-RH	STI (high castor) Adjustable Front TCA - RH	1
3	MSI-MTRSPRT-02-024c	Dovetail Adjustment Bolt	2
4	MSI-MTRSPRT-02-024d	Dovetail Bearing housing - 0 degree	2
5	MSI-MTRSPRT-02-024f	Dovetail Clamp Block	2
6	MSI-MBWT1812x20-A-SS	Inside 12mm ID x 20mm Tall Spacer-SS	2
7	MSI-MBWT1812x20-B-SS	Outside 12mm ID x 20mm Tall Spacer-SS	2
8	MSI-bearing-001	18mm ID x 33mm OD Std MSI Bearing	2
9	MSI-bearing-001a	33mm bearing retaining clip	2
10	MSI-bearing-003a	38mm Bearing Circlip	2
11	MSI-Bearing-005	16ID x 38mm OD Bearing	2
12	MSI-M12X1.25-CZJN	Clear Zinc Jam Nut M12 x 1.25	2
13	MSI-M12X1.25X20-BLCS	Black Cap Screw M12 x 1.25 x 20mm	4
14	MC-98543A117	Side Mount Circlip	2
		<i>UL-S-4902</i>	<i>Shipping Box 20" x 16" x 6" (Kraft)</i>



* NOT SHOWN IN DRAWING

**LH SIDE SHOWN
RH SIDE OPPOSITE**

THE INFORMATION CONTAINED IN THIS DRAWING IS THE SOLE PROPERTY OF MSI (Moore-Sport INC.). ANY REPRODUCTION IN PART OR AS A WHOLE IS STRICTLY PROHIBITED.



STI (high castor) Adjustable Front TCA set

CAR MODEL	Impreza High Caster	CONFIGURATION:	ASSEMBLY:	REV	2022-03-22
APPLICATION	Street / Motorsport	Default	MSIsub02-28-007	2	3062.619