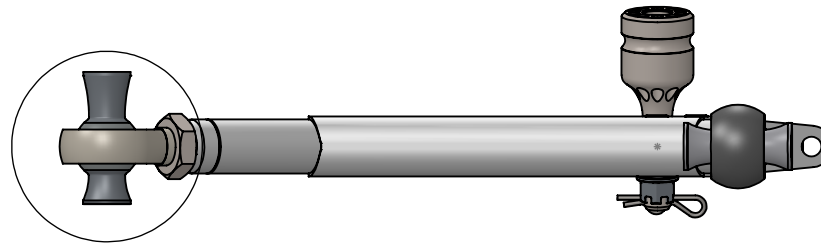


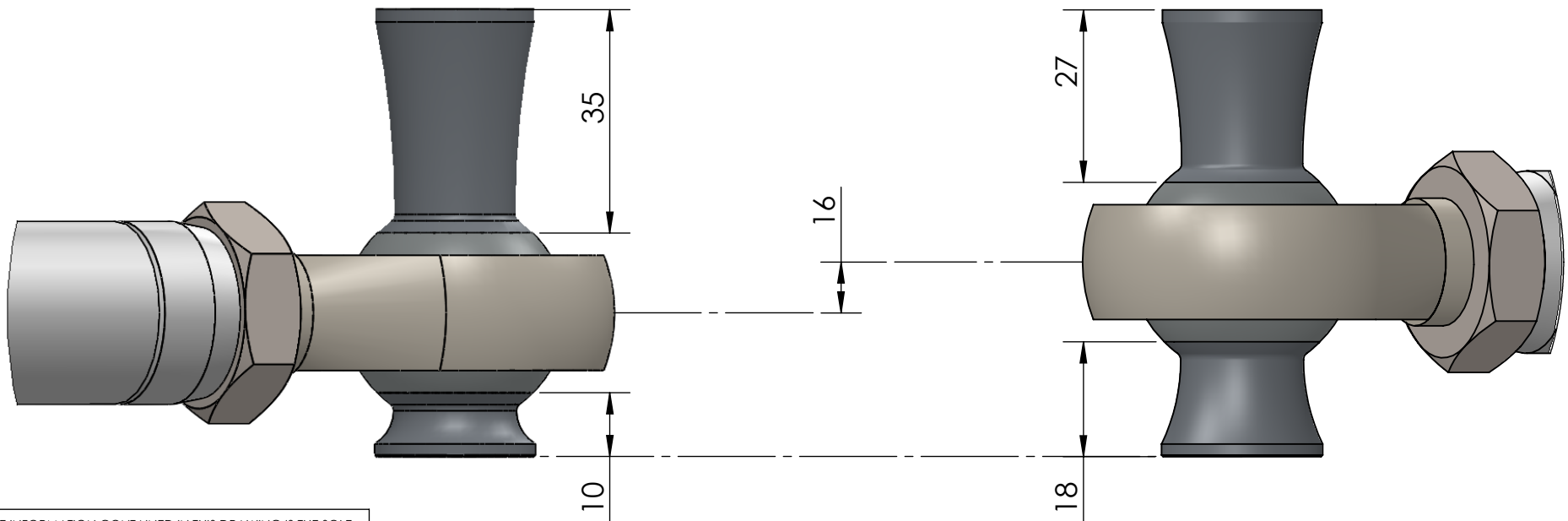
BOM FOR ASSEMBLY

DIFFERENT LENGTH SPACERS ARE INCLUDED FOR RIDE HEIGHT CORRECTION



Anti-Dive Installation

Normal Installation



THE INFORMATION CONTAINED IN THIS DRAWING IS THE SOLE PROPERTY OF MSI (Moore-Sport INC). ANY REPRODUCTION IN PART OR AS A WHOLE IS STRICTLY PROHIBITED.



GR TCA W/ Pin adapter

CAR MODEL	GR Impreza	CONFIGURATION:	Default	ASSEMBLY:	MSIsub02-19-011	REV	1	11/17/2016
APPLICATION	Street / Motorsport							SHEET 2 OF 2