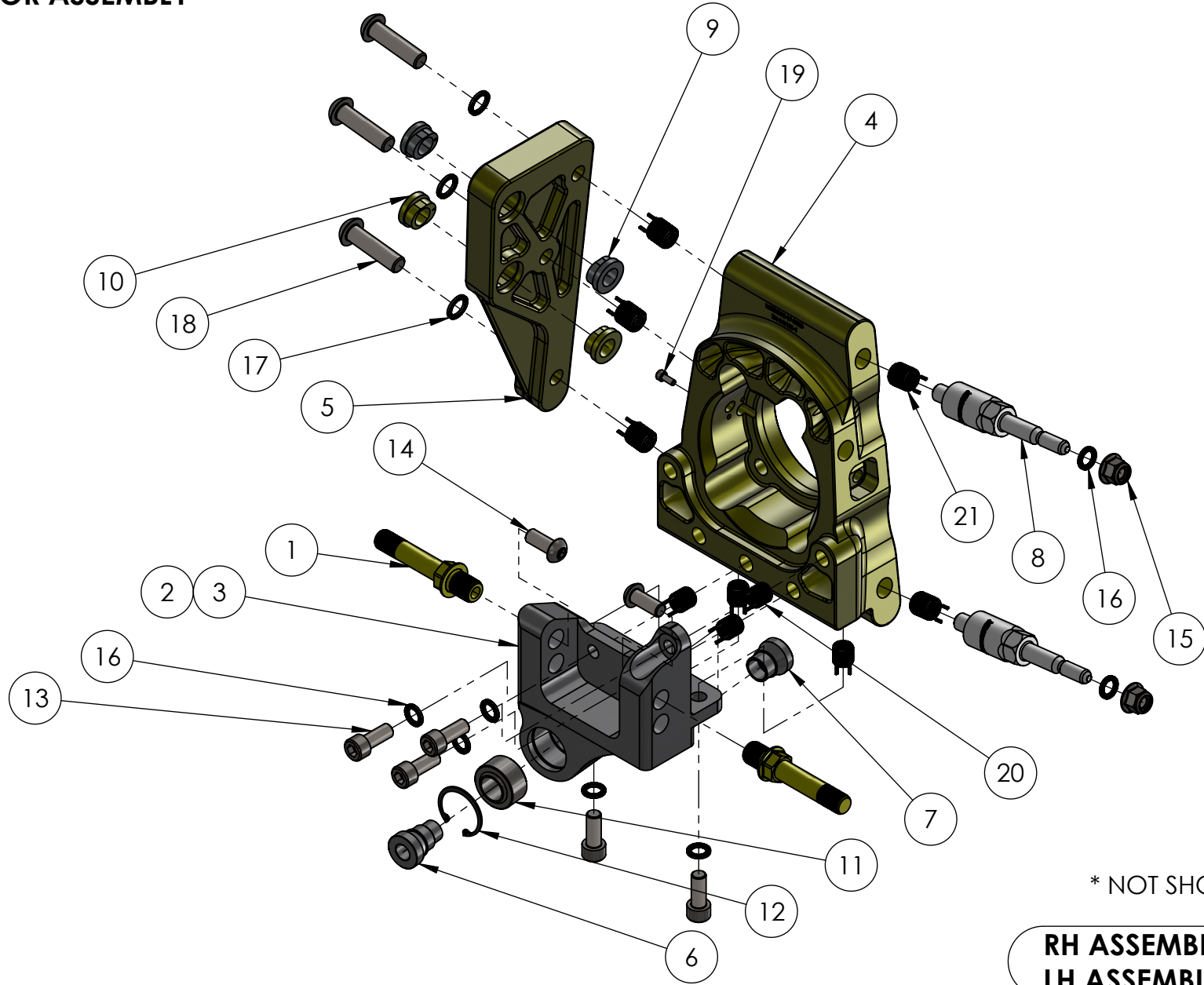


BOM FOR ASSEMBLY



* NOT SHOWN IN IMAGE

**RH ASSEMBLY SHOWN
LH ASSEMBLY OPPOSITE**

THE INFORMATION CONTAINED IN THIS DRAWING IS THE SOLE PROPERTY OF MSI (Moore-Sport INC.). ANY REPRODUCTION IN PART OR AS A WHOLE IS STRICTLY PROHIBITED.



CNC Rear STI 93-07 Upright Set

CAR MODEL	Impreza GC/GD	CONFIGURATION:	ASSEMBLY:	REV	2022-01-19
APPLICATION	Motorsport ONLY	Default	MSISUB02-17-055	1	15705.19

5

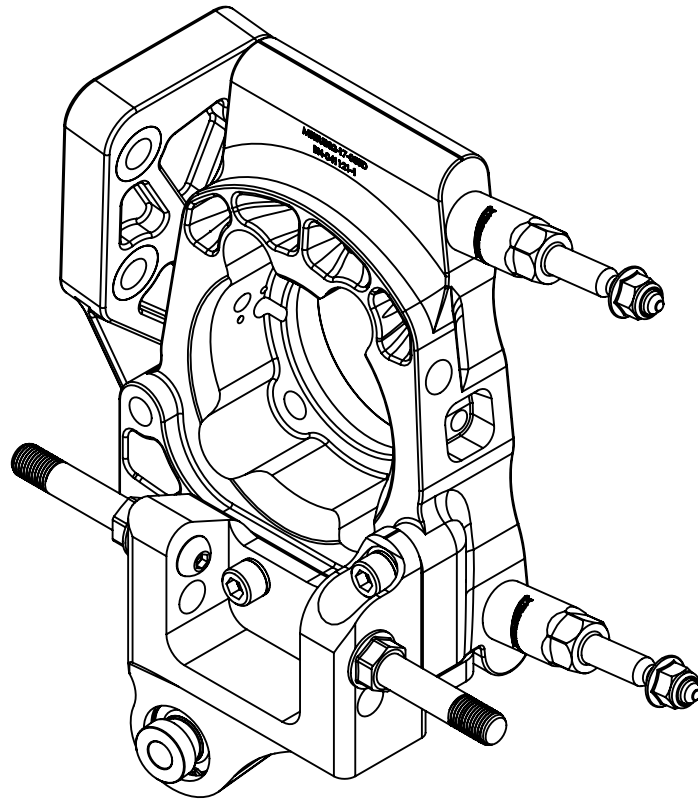
4

3

2

1

BOM FOR ASSEMBLY



NO.	PART NUMBER	DESCRIPTION	QTY.
1	MSIsub02-17-055a	Lateral Link Pin (m16 x m14)	4
2	MSIsub02-17-055c-LH	Bottom Bracket - LH SIDE	1
3	MSIsub02-17-055c-RH	Bottom Bracket - RH SIDE	1
4	MSISUB02-17-055D	Universal Subaru Rear Upright	2
5	MSISUB02-17-055E	Rear Upright Clevis	2
6	MSI-MBWT1812X14.6-A	12.1 x 14.625mm tall INSIDE spacer	2
7	MSI-MBWT1812X14.6-B	12.1 x 14.625mm Outside Spacer	2
8	MSI-UNIV-04-052-48.3	48.3mm Caliper Spacer	4
9	DMSPART-005E	14mm centered washer - 5way	4
10	DMSPART-005F	1 x 14mm offset washer - 5way	4
11	MSI-bearing-001	18mm MSI Bearing	2
12	MSI-bearing-001a	33mm bearing retaining clip	2
13	MSI-M10X1.25X25-BLCS	Black Cap Screw M10 x 1.25 x 25mm	10
14	MSI-M10X1.5X25-SSBH	Stainless Button Head M10 x 1.5 x 25mm	4
15	MSI-M10X1.5-CZNN	Clear Zinc Nyloc Nut M10 x 1.5	4
16	MSI-M10X16-CZSW	Clear Zinc Schnorr Lock Washer M10 x 16mm	14
17	MSI-M12X18-CZSW	Clear Zinc Schnorr Lock Washer M12 x 18mm	6
18	MSI-M12X1.75X45-CZBH	Clear Zinc Button Head M12 x 1.75 x 45mm	6
19	MSI-M4X0.7X10-BLCS	Black Cap Screw M4 x 0.7 x 10mm	2
20	MC-90245A174	M10 x 1.25 KeyLock Insert	10
21	MC-90245A177	M12 x 1.75 Key Lock Insert	10

* NOT SHOWN IN IMAGE

**RH ASSEMBLY SHOWN
LH ASSEMBLY OPPOSITE**

THE INFORMATION CONTAINED IN THIS DRAWING IS THE SOLE PROPERTY OF MSI (Moore-Sport INC). ANY REPRODUCTION IN PART OR AS A WHOLE IS STRICTLY PROHIBITED.



CNC Rear STI 93-07 Upright Set

CAR MODEL	Impreza GC/GD	CONFIGURATION:	ASSEMBLY:	REV	1	2022-01-19
APPLICATION	Motorsport ONLY	Default	MSISUB02-17-055			15705.19