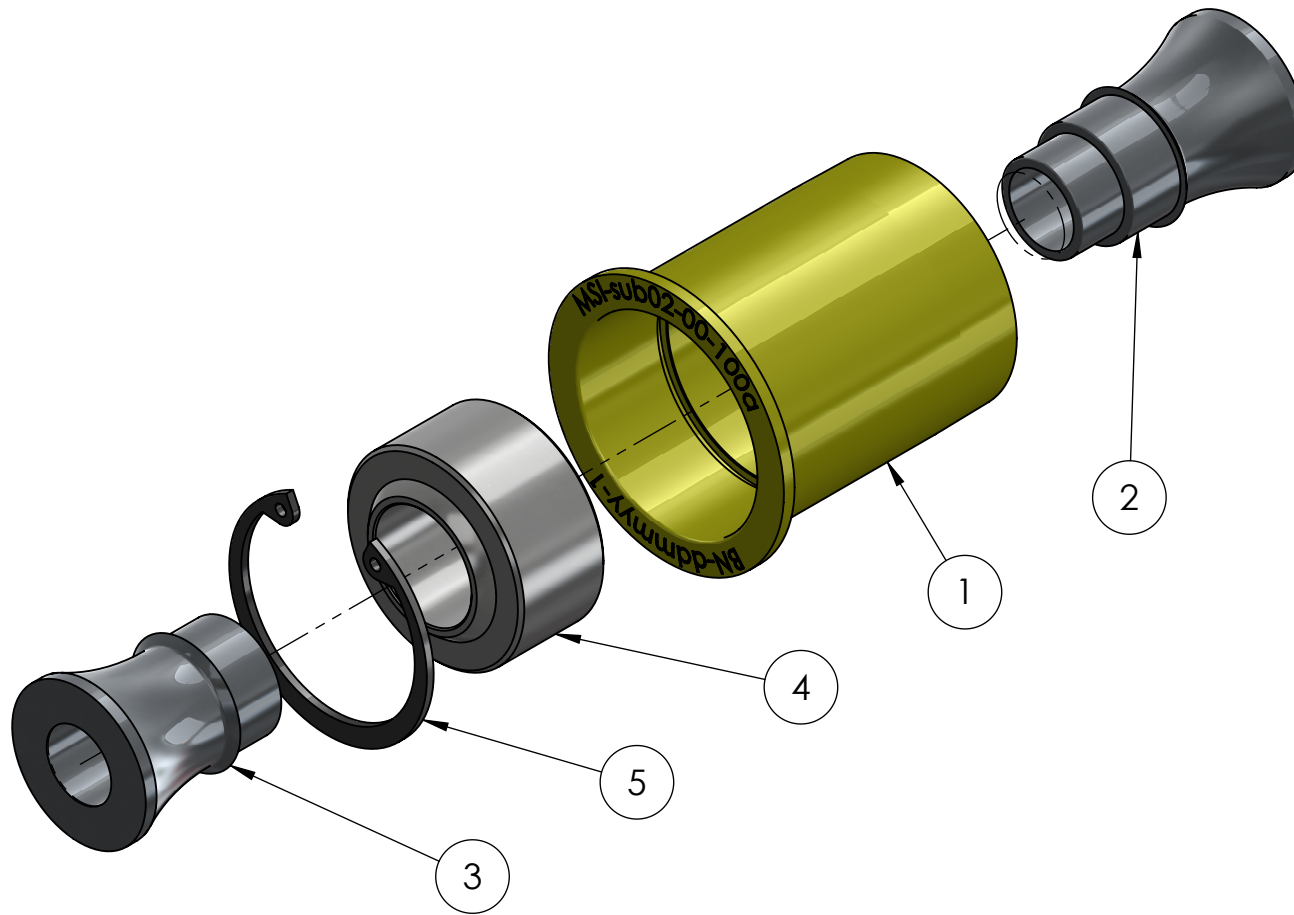


BOM FOR ASSEMBLY

NO.	PART NUMBER	DESCRIPTION	QTY.
1	MSIsub02-00-100a	Front A-Arm, front insert	2
2	MSI-MBWT1812x20-A-SS	Inside 12mm ID x 20mm Tall Spacer-SS	2
3	MSI-MBWT1812x20-B-SS	Outside 12mm ID x 20mm Tall Spacer-SS	2
4	MSI-bearing-001	18mm ID x 33mm OD Std MSI Bearing	2
5	MSI-bearing-001a	33mm bearing retaining clip	2
	<i>UL-S-11233</i>	<i>Shipping Box 5" x 5" x 2" (White)</i>	



THE INFORMATION CONTAINED IN THIS DRAWING IS THE SOLE PROPERTY OF MSI (Moore-Sport INC.). ANY REPRODUCTION IN PART OR AS A WHOLE IS STRICTLY PROHIBITED.



Front A-Arm Bearing Insert

CAR MODEL	Impreza GC/GD	CONFIGURATION:	ASSEMBLY:	REV	2021-12-15
APPLICATION	Motorsport ONLY	Default	MSIsub02-00-100	1	418.66