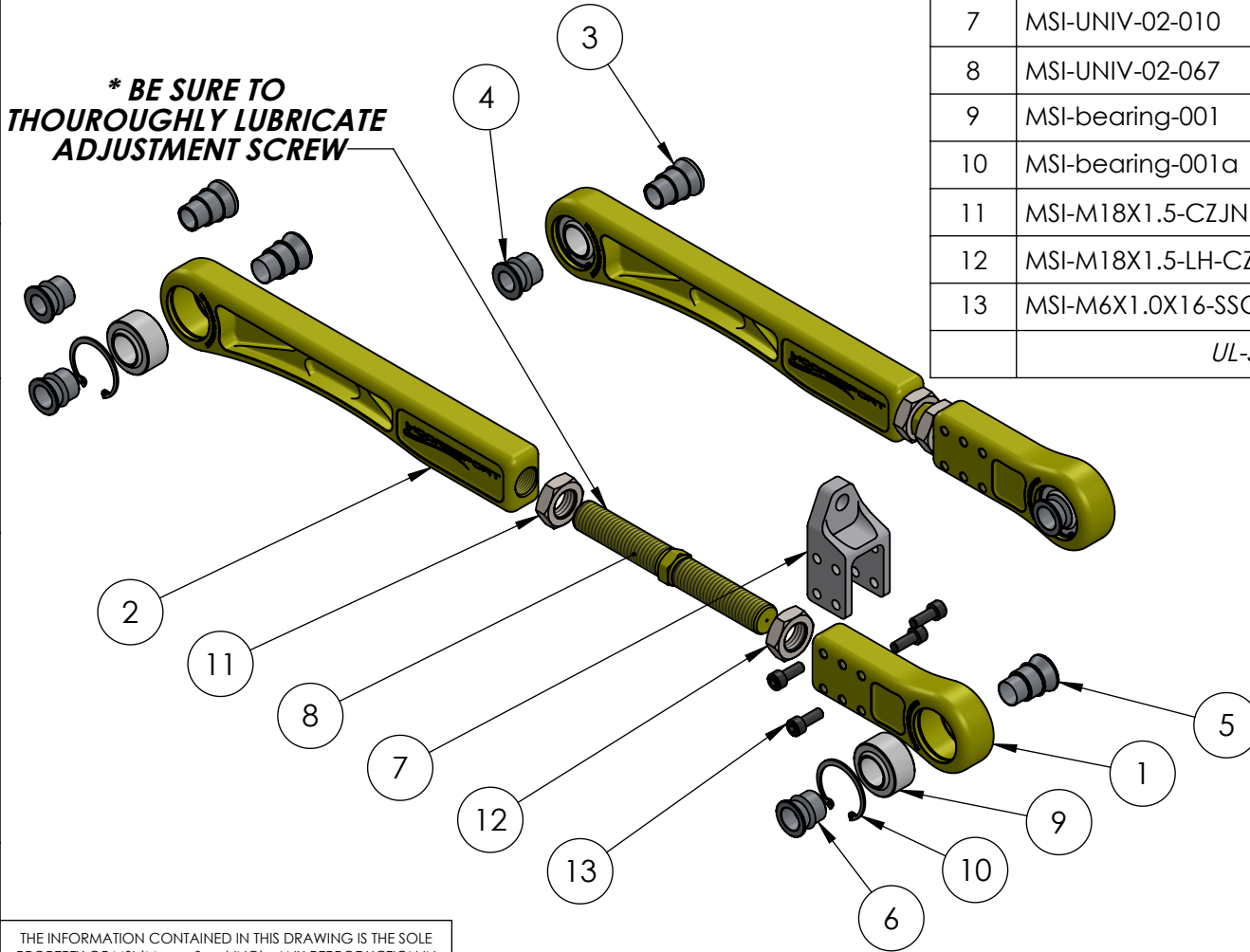


BOM FOR ASSEMBLY

NO.	PART NUMBER	DESCRIPTION	QTY.
1	MSI-MTRSPRT-02-010B-LH	Short Rear Lateral link LH Thread	4
2	MSI-MTRSPRT-02-010a-RH	Long Rear Lateral Link RH Thread	4
3	MSI-MBWT1812x10a-SS	Inside 12mm ID x 10mm Tall Spacer	4
4	MSI-MBWT1812x10b-SS	Outside 12mm ID x 10mm Tall Spacer	4
5	MSI-MBWT1814x10a-SS	Inside 14mm ID x 10mm Tall Spacer	6
6	MSI-MBWT1814x10b-SS	Outside 14mm ID x 10mm Tall Spacer	6
7	MSI-UNIV-02-010	Suspension Link Bracket	2
8	MSI-UNIV-02-067	M18 x 1.5 Turnbuckle	4
9	MSI-bearing-001	18mm ID x 33mm OD Std MSI Bearing	8
10	MSI-bearing-001a	33mm bearing retaining clip	8
11	MSI-M18X1.5-CZJN	Clear Zinc Jam Nut M18 x 1.5	4
12	MSI-M18X1.5-LH-CZJN	LH Clear Zinc Jam Nut M18 x 1.5	4
13	MSI-M6X1.0X16-SSCS	Stainless Cap Screw M6 x 1.0 x 16mm	8
	<i>UL-S-4178</i>	<i>Shipping Box 18" x 6" x 6" (Kraft)</i>	



**RH SHOWN
LH OPPOSITE**

THE INFORMATION CONTAINED IN THIS DRAWING IS THE SOLE PROPERTY OF MSI (Moore-Sport INC.). ANY REPRODUCTION IN PART OR AS A WHOLE IS STRICTLY PROHIBITED.



Motorsport Rear Lateral Link Set (bearing)

CAR MODEL	Impreza	CONFIGURATION:	ASSEMBLY:	REV	2022-05-03
APPLICATION	Street / Motorsport	Default	MSIsub02-00-007	1	2403.01