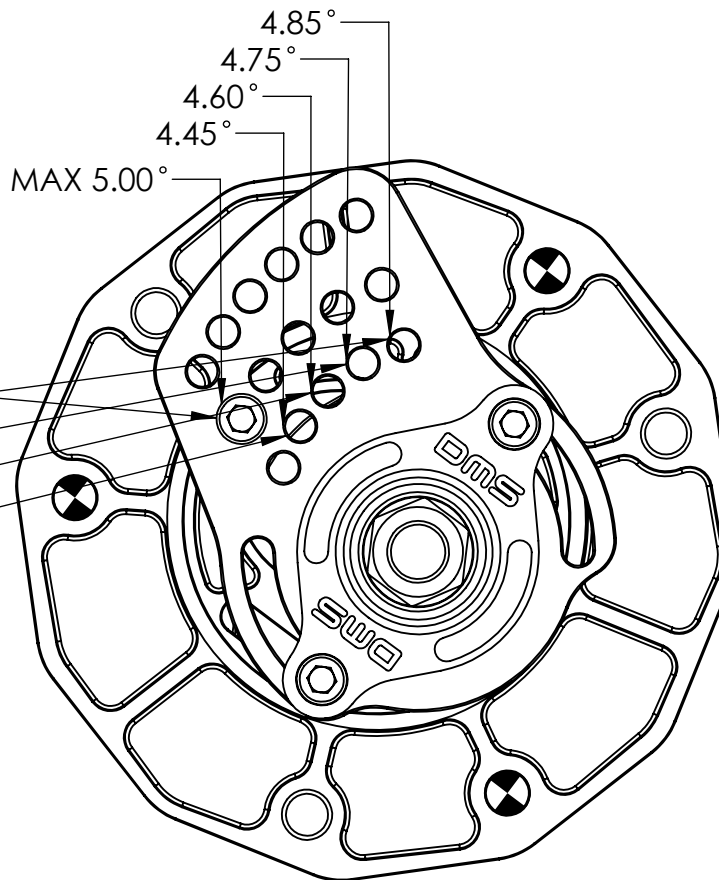


INSTALLATION IN CAMBER/CASTER POSITION

CASTER ANGLE



CAMBER ANGLE

- MAX -2.77°
- 2.57°
- 2.41°
- 2.23°
- 2.00°

****Measures Based on stock EVO X**

THE INFORMATION CONTAINED IN THIS DRAWING IS THE SOLE PROPERTY OF MSI (Moore-Sport INC). ANY REPRODUCTION IN PART OR AS A WHOLE IS STRICTLY PROHIBITED.



LH PLATE MOUNTED IN CAMBER/CASTER POSITION

CAR MODEL	EVO X	CONFIGURATION:	ASSEMBLY:	REV	31-May-16
APPLICATION	Street / Motorsport	Default	DMS-mnt-mi-006	2	SHEET 6 OF 6