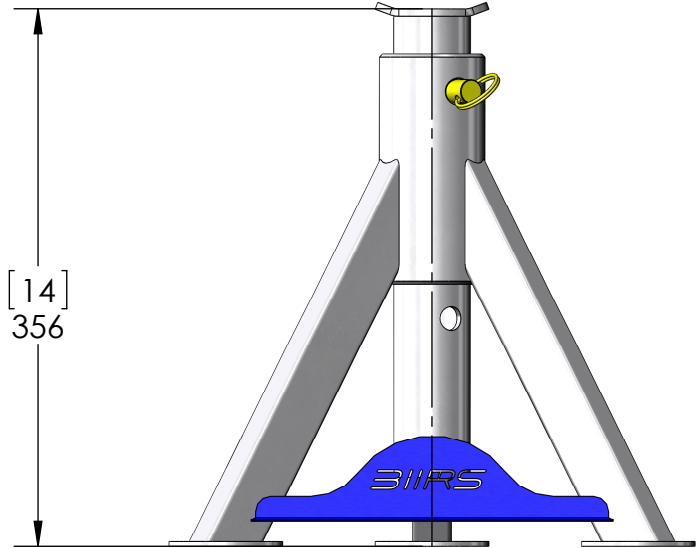
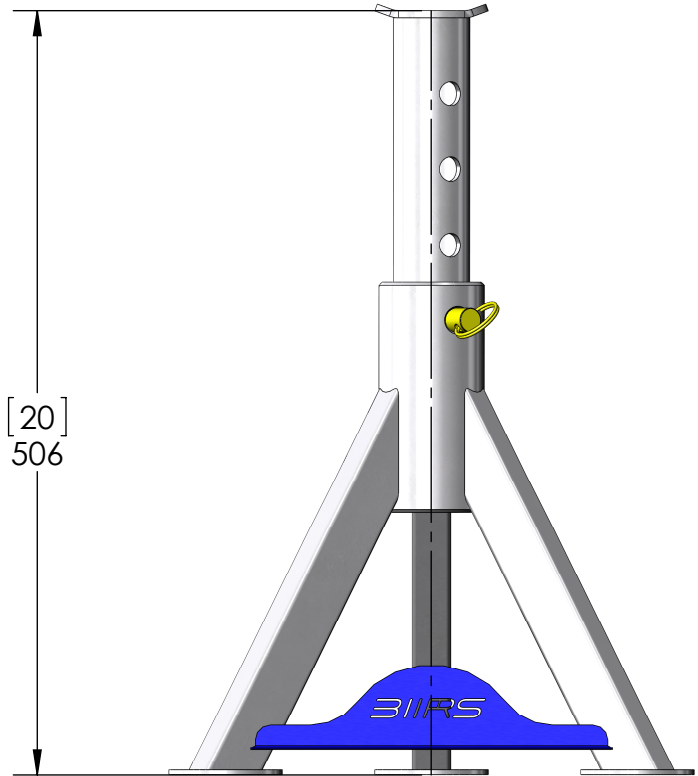


QTY	n/a	STOCK MATERIAL	Material <not specified>	Various	Various	CUT LENGTH	n/a
-----	-----	----------------	--------------------------	---------	---------	------------	-----



REV
1

PROPRIETARY AND CONFIDENTIAL

THE INFORMATION CONTAINED IN THIS DRAWING IS THE SOLE PROPERTY OF MSI (Moore-Sport INC). ANY REPRODUCTION IN PART OR AS A WHOLE WITHOUT THE WRITTEN PERMISSION OF MSI IS STRICTLY PROHIBITED.

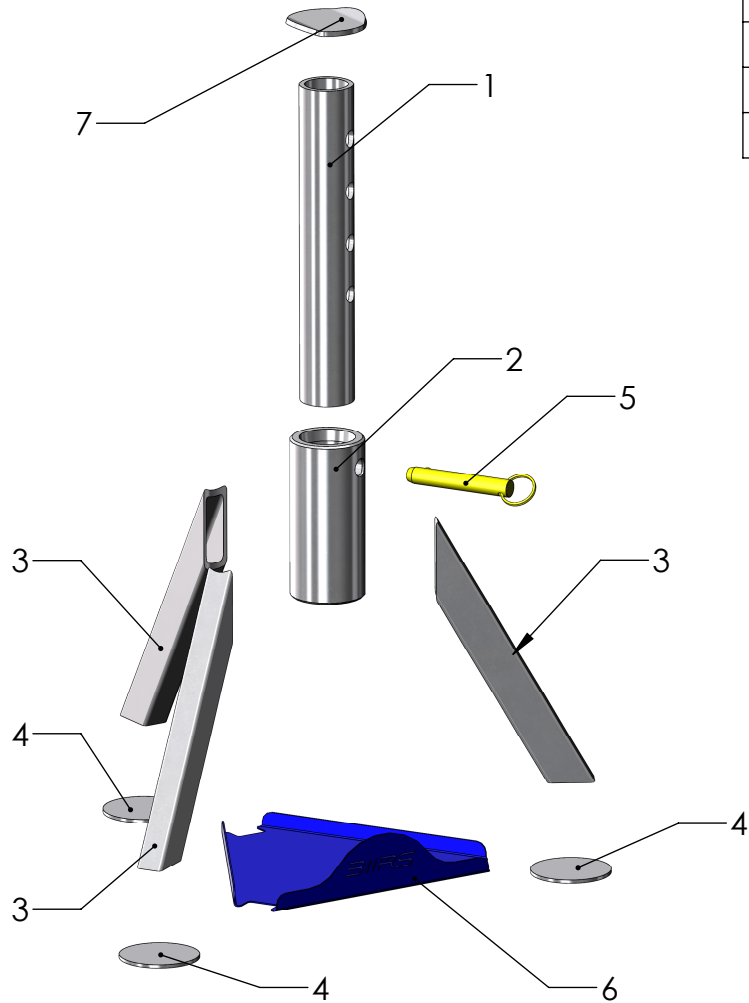


CLIENT	Internal
CAR MODEL	Universal
APPLICATION	Universal
HEAT TREATMENT	None
SURFACE TREATMENT	Raw
MACHINE:	Welding
MANUF. PROCESS	Welded Assembly

GENERAL TOLERANCES (MM) ANGULAR: MACH ± .1 deg BEND ± .25 deg ONE PLACE DECIMAL ± .1 TWO PLACE DECIMAL ± .05	DRAWN	M. Moore	24/03/2014	PART NUMBER MSI-Tool-05-002 ASSEMBLY: MSI-Tool-05-002
	CHECKED	M. Moore	24/03/2014	
	MFG APPR.	Unchecked		
DIRECTORY:	\\SERVER1\data\MSI\CNC + SOLID + PHOTOS\TOOLS\MSI Jack Stand\Adjustable Stands\			
CONFIGURATION:	Maximum Height			
COMMENTS:	Adjustable Jack Stand			
		WEIGHT (g):		SCALE: 1:5
				SHEET 1 OF 3

BOM FOR ASSEMBLY

NO.	PART NUMBER	DESCRIPTION	QTY.
1	MSI-Tool-05-002f	2" Adjustable Pin	1
2	MSI-Tool-05-002b	Pin Housing for welding	1
3	MSI-Tool-05-002c	Leg for jackstand	3
4	MSI-Tool-05-002d	Round Foot Pad	3
5	98320A630	5/8" x 3" Locking Pin	1
6	MSI-Tool-05-002h	Folded Bolt Tray	1
7	MSI-Tool-05-002i	Upper Saddle	1



REV

1

THE INFORMATION CONTAINED IN THIS DRAWING IS THE SOLE PROPERTY OF MSI (Moore-Sport INC). ANY REPRODUCTION IN PART OR AS A WHOLE WITHOUT THE WRITTEN PERMISSION OF MSIS STRICTLY PROHIBITED.



PROPRIETARY AND CONFIDENTIAL

DATE

24/03/2014

ASSEMBLY:

MSI-Tool-05-002

CAR MODEL Universal

CONFIGURATION:

All Parts for Installation

APPLICATION Universal

DIRECTORY: \\SERVER1\data\MSI\CNC + SOLID + PHOTOS\TOOLS\MSI Jack Stand\Adjustable Stands\

WEIGHT (g):

SHEET 2 OF 3

5

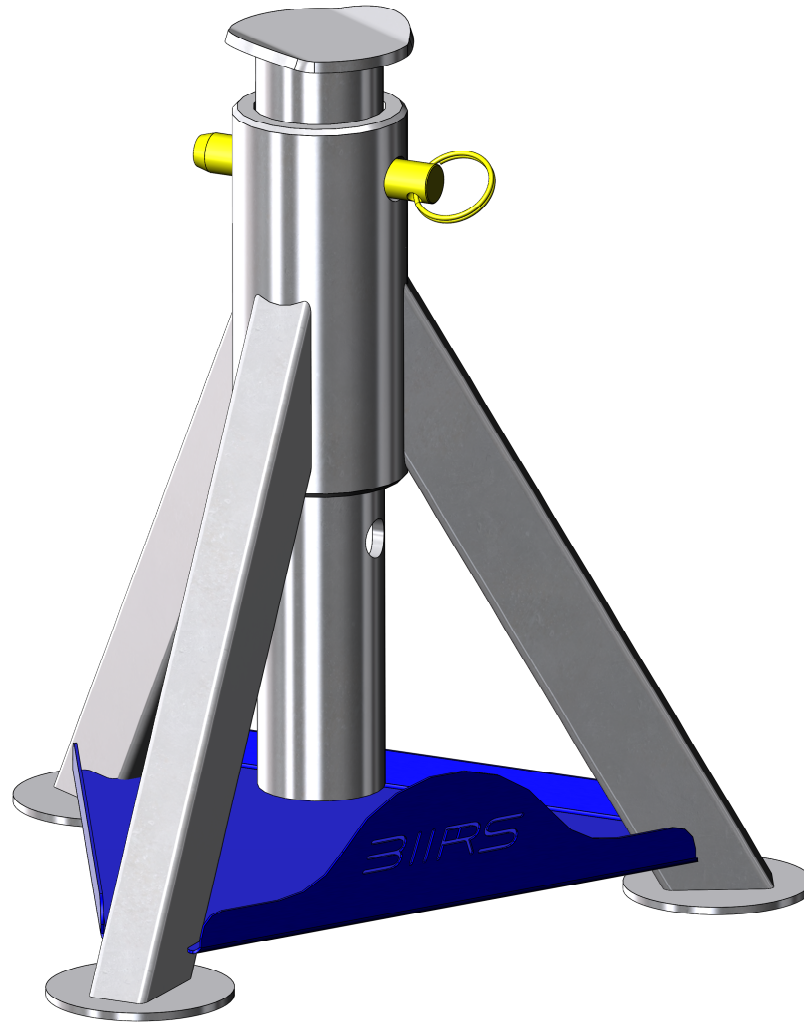
4

3

2

1

BOM FOR ASSEMBLY



REV

1

THE INFORMATION CONTAINED IN THIS DRAWING IS THE SOLE PROPERTY OF MSI (Moore-Sport INC). ANY REPRODUCTION IN PART OR AS A WHOLE WITHOUT THE WRITTEN PERMISSION OF MSIS STRICTLY PROHIBITED.



PROPRIETARY AND CONFIDENTIAL

DATE

24/03/2014

ASSEMBLY:

MSI-Tool-05-002

CAR MODEL Universal

CONFIGURATION:

All Parts for Installation

APPLICATION Universal

DIRECTORY: \\SERVER1\data\MSI\CNC + SOLID + PHOTOS\TOOLS\MSI Jack Stand\Adjustable Stands\

WEIGHT (g):

SHEET 3 OF 3

5

4

3

2

1